

Recessed Light



ALLED®

Orion

Series

Specification Sheet

Product Introduction

Orion, often referred to as The Hunter, is one of the few constellations visible throughout the planet. Its degree of brightness can be seen and felt every time you switch on ALT's ORION products. ALT's Orion Recessed Light series offers unbeatable brightness and efficiency among all recessed lights. Due to its robust nature, Orion Recessed Light is the perfect choice for commercial applications with its great lifespan.

In order to replace for traditional fluorescent light, you can easily install our products within the ceiling of your office. Also, due to its unique directional light source, it can naturally perform the beam angle in the direction it needs to go – which provides a more efficient, resourceful lighting experience. Orion Recessed Light series offers a fruitful range of colours for general lighting and is available in Warm White, Natural White and True White colour. It is definitely the perfect choice for those concerned about interior design and brightness.

Certificates



Features

- ✓ Integration structural design to ensure maximal heat dissipation.
- ✓ Original high-power LED chips.
- ✓ CRI 80 high-brightness.

Application

- ✓ Office Lighting.
- ✓ Commercial Lighting.
- ✓ Illumination Lighting.



Specifications

| Item | Specification | Details |
|---|-----------------------|--|
| Output | Beam Angle | 10°, 15°, 20°, 24°, 25°, 30°, 38°, 45°, 50°, 60°, 80°, 90°, 130°, 135° |
| | Colour Range | TW / NW / WW |
| | Lumen Maintenance | 50,000 hours |
| Electrical | Input Voltage | 100 ~ 240V AC |
| | Power Consumption | 25, 30, 46, 50, 72, 75, 92, 100 Watts |
| Physical | Weight | 2 kg (25, 30 Watts) 3 kg (46, 50 Watts) 4 kg (72, 75, 92, 100 Watts) |
| | Lens | Optics PMMA |
| | Operating Temperature | -4° F to 121° F (-20°C to 50°C) |
| | Humidity | 0 – 95%, non-condensing |
| Certification and Safety | Certifications | ETL, CE, FCC, LVD, Laser Testing, RoHS, DLC |
| | Environment Warranty | Suitable for damp location 3 years |
| Customized Available | IP Protection / IP 68 | t50, t75, t100 |
| Two Million Worldwide Product Liability Insurance. | | |

Lamp Luminous Flux

| Chipsets | | EPISTAR | | | |
|-------------------|--------|---------|---------|---------|---------|
| Type | | R02t25 | R02t50 | R02t75 | R02t100 |
| Power Consumption | | 25 W | 50 W | 75 W | 100 W |
| Beam Angle | | 130° | | | |
| True White | CRI 70 | 1150 lm | 2300 lm | 3450 lm | 4600 lm |
| Natural White | CRI 70 | 1000 lm | 2000 lm | 3000 lm | 4000 lm |
| Warm White | CRI 70 | 800 lm | 1600 lm | 2400 lm | 3200 lm |

| Chipsets | | BRIDGELUX | | | |
|-------------------|--------|-----------|---------|---------|---------|
| Type | | R02t25 | R02t50 | R02t75 | R02t100 |
| Power Consumption | | 30 W | 46 W | 72 W | 92 W |
| Beam Angle | | 130° | | | |
| True White | CRI 65 | 1900 lm | 2700 lm | 4050 lm | 5400 lm |
| Natural White | CRI 80 | 1650 lm | 2300 lm | 3450 lm | 4600 lm |
| Warm White | CRI 82 | 1500 lm | 2000 lm | 3000 lm | 4000 lm |

| Chipsets | | CREE XB-D | | | |
|-------------------|--------|--|---------|---------|---------|
| Type | | R02t25 | R02t50 | R02t75 | R02t100 |
| Power Consumption | | 25 W | 46 W | 72 W | 92 W |
| Beam Angle | | 10° / 20° / 30° / 45° / 60° / 90° / 130° | | | |
| True White | CRI 80 | 1650 lm | 3300 lm | 4950 lm | 6600 lm |
| Natural White | CRI 80 | 1500 lm | 3000 lm | 4500 lm | 6000 lm |
| Warm White | CRI 80 | 1250 lm | 2500 lm | 3750 lm | 5000 lm |

| Chipsets | | LUXEON Rebel ES | | | |
|-------------------|--------|--|---------|---------|---------|
| Type | | R02t25 | R02t50 | R02t75 | R02t100 |
| Power Consumption | | 25 W | 46 W | 72 W | 92 W |
| Beam Angle | | 15° / 24° / 30° / 50° / 60° / 90° / 130° | | | |
| True White | CRI 80 | 1750 lm | 3500 lm | 5250 lm | 7000 lm |
| Natural White | CRI 80 | 1600 lm | 3200 lm | 4800 lm | 6400 lm |
| Warm White | CRI 80 | 1350 lm | 2700 lm | 4050 lm | 5400 lm |

| Chipsets | | CREE XT-E | | | |
|-------------------|--------|--|---------|---------|---------|
| Type | | R02t25 | R02t50 | R02t75 | R02t100 |
| Power Consumption | | 25 W | 46 W | 72 W | 92 W |
| Beam Angle | | 15° / 20° / 30° / 45° / 50° / 60° / 80° / 90° / 130° | | | |
| True White | CRI 70 | 1900 lm | 3800 lm | 5700 lm | 7600 lm |
| Natural White | CRI 80 | 1750 lm | 3500 lm | 5250 lm | 7000 lm |
| Warm White | CRI 80 | 1450 lm | 2900 lm | 4350 lm | 5800 lm |
| | | 2200 K | | | |
| | CRI 90 | 1350 lm | 2700 lm | 4050 lm | 5400 lm |
| | | 1160 lm | 2300 lm | 3500 lm | 4600 lm |

| Chipsets | | LUXEON Tx | | | |
|-------------------|--------|---|---------|---------|---------|
| Power Consumption | | 25 W | 46 W | 72 W | 92 W |
| Beam Angle | | 20° / 25° / 38° / 60° / 90° / 130° / 135° | | | |
| True White | CRI 70 | 2200 lm | 4400 lm | 6600 lm | 8800 lm |
| Natural White | CRI 70 | 2000 lm | 4000 lm | 6000 lm | 8000 lm |
| Warm White | CRI 80 | 1750 lm | 3500 lm | 5250 lm | 7000 lm |

Optical Characteristics

Dominant Wavelength (nm) or Colour Temperature (K)

EPISTAR LED chips

| Correlated Colour Temperature | Min. | Typ. | Max. |
|-------------------------------|-------|-------|--------|
| True White | 4750K | 5700K | 10000K |
| Natural White | 3250K | 4000K | 4750K |
| Warm White | 2500K | 2700K | 3250K |

CREE LED chips

| Correlated Colour Temperature | Min. | Typ. | Max. |
|-------------------------------|-------|-------|--------|
| True White | 5000K | 6000K | 10000K |
| Natural White | 3700K | 4300K | 5000K |
| Warm White | 2100K | 3000K | 3700K |

LUXEON LED chips

| Correlated Colour Temperature | Min. | Typ. | Max. |
|-------------------------------|-------|-------|-------|
| True White | 5000K | 6000K | 6500K |
| Natural White | 3500K | 4500K | 5000K |
| Warm White | 2700K | 3000K | 3500K |

BRIDGELUX LED chips

| Correlated Colour Temperature | Min. | Typ. | Max. |
|-------------------------------|-------|-------|-------|
| True White | 4750K | 5600K | 7000K |
| Natural White | 3700K | 4100K | 4750K |
| Warm White | 2850K | 3000K | 3700K |

OSRAM LED Chips

| Correlated Colour Temperature | Min. | Typ. | Max. |
|-------------------------------|-------|-------|-------|
| True White | 5000K | 6000K | 7000K |
| Natural White | 3500K | 4000K | 5000K |
| Warm White | 2700K | 3000K | 3500K |

LUXEON LED Chips

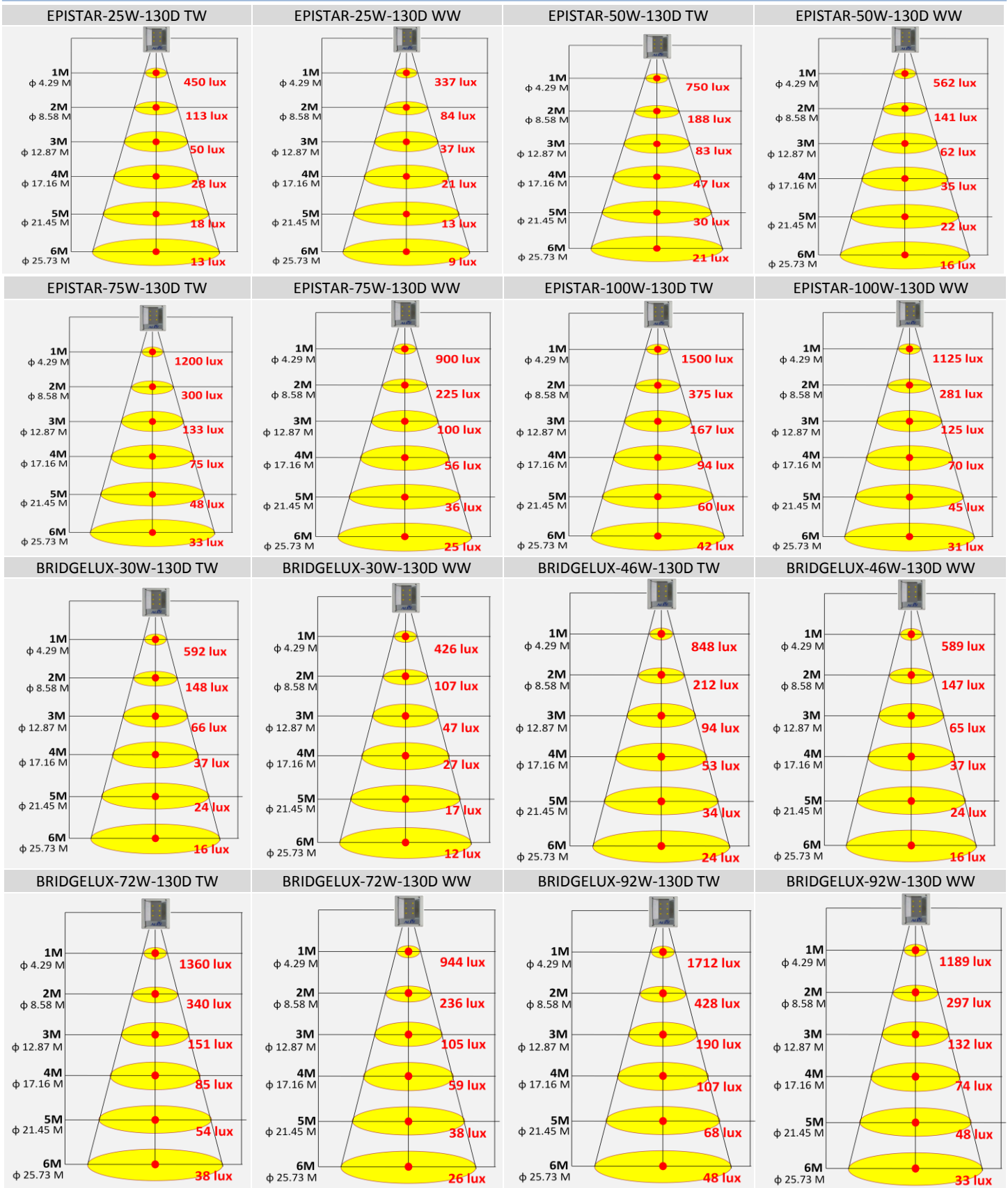
| Correlated Colour Temperature | Min. | Typ. | Max. |
|-------------------------------|-------|-------|--------|
| True White | 4500K | 5650K | 10000K |
| Natural White | 3500K | 4100K | 4500K |
| Warm White | 2540K | 3100K | 3500K |

| Chipsets | | OSRAM Square | | | |
|-------------------|--------|---|---------|---------|---------|
| Power Consumption | | 25 W | 46 W | 72 W | 92 W |
| Beam Angle | | 15° / 25° / 38° / 45° / 50° / 60° / 80° / 90° / 130° / 135° | | | |
| True White | CRI 70 | 2400 lm | 4800 lm | 7200 lm | 9600 lm |
| Natural White | CRI 70 | 2200 lm | 4400 lm | 6600 lm | 8800 lm |
| Warm White | CRI 80 | 1950 lm | 3900 lm | 5850 lm | 7800 lm |
| | CRI 92 | 1600 lm | 3200 lm | 4800 lm | 6400 lm |

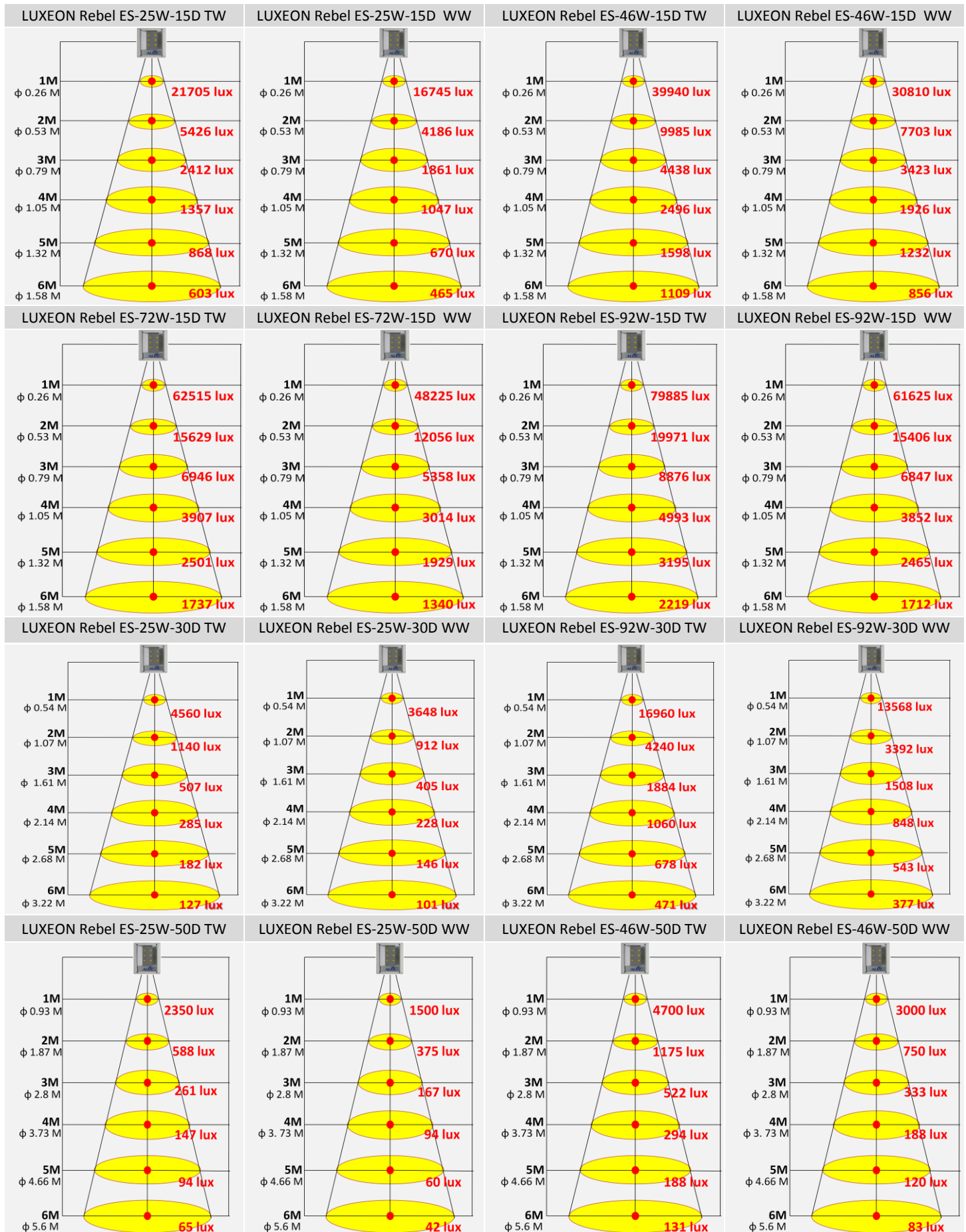
| Chipsets | | CREE XP-L | | | |
|-------------------|--------|------------------------------|---------|---------|---------|
| Power Consumption | | 25 W | 46 W | 72 W | 92 W |
| Beam Angle | | 20° / 38° / 60° / 90° / 130° | | | |
| True White | CRI 65 | 2400 lm | 4800 lm | 7200 lm | 9600 lm |
| Natural White | CRI 75 | 2150 lm | 4300 lm | 6450 lm | 8600 lm |
| Warm White | CRI 80 | 1950 lm | 3900 lm | 5850 lm | 7800 lm |

※All Lamp Luminous Flux Data are indicated in max values.

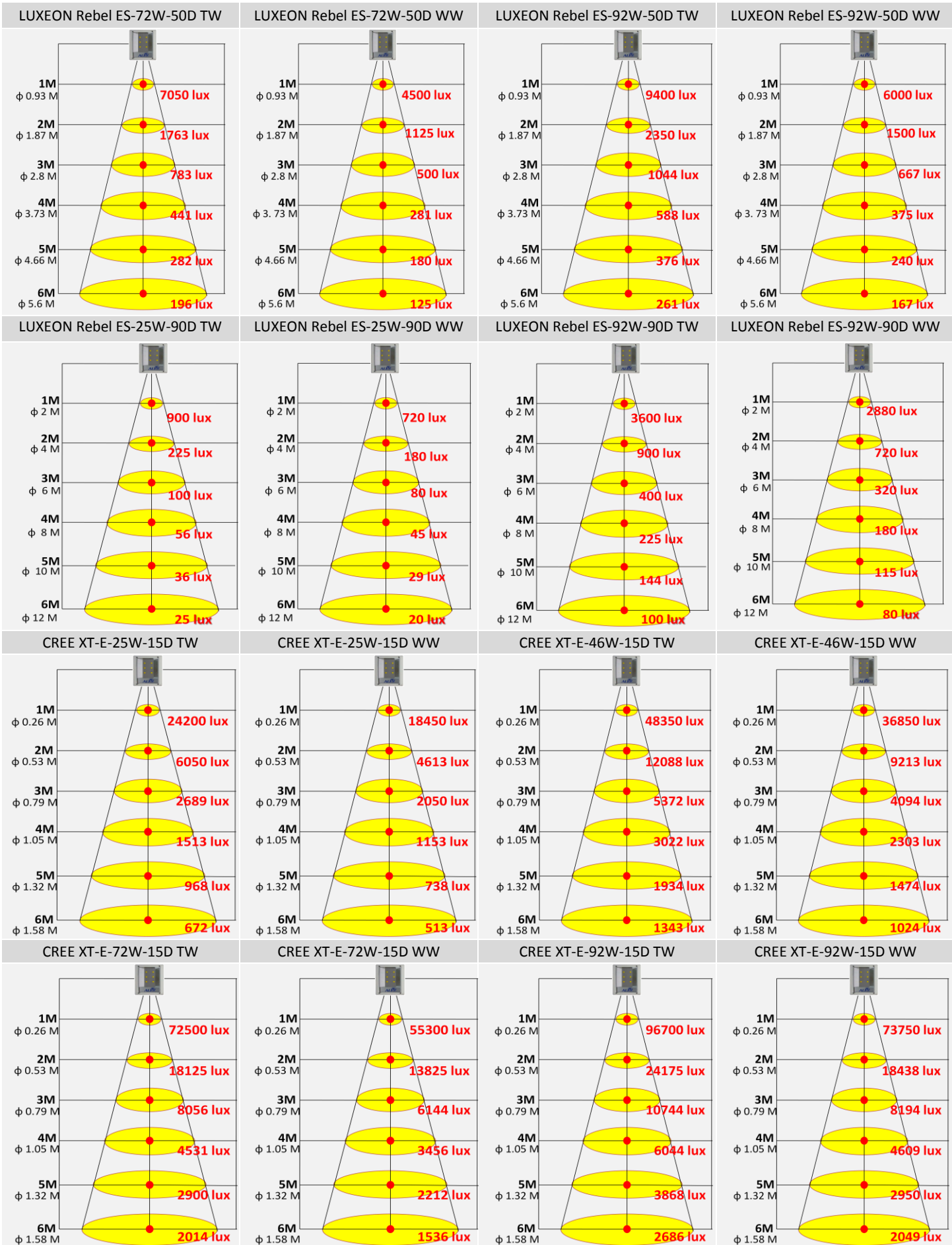
Illuminance at Distance

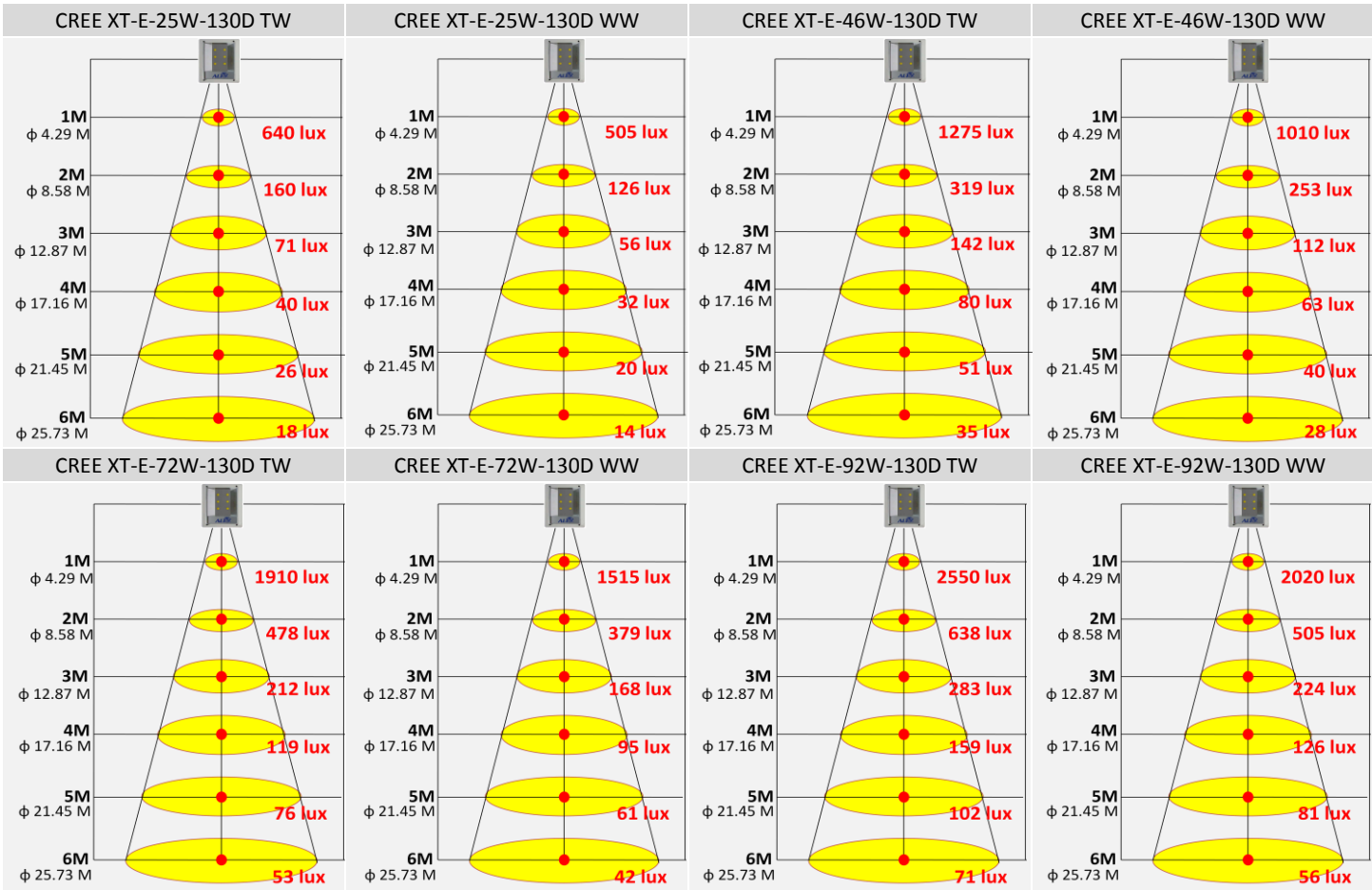


Illuminance at Distance



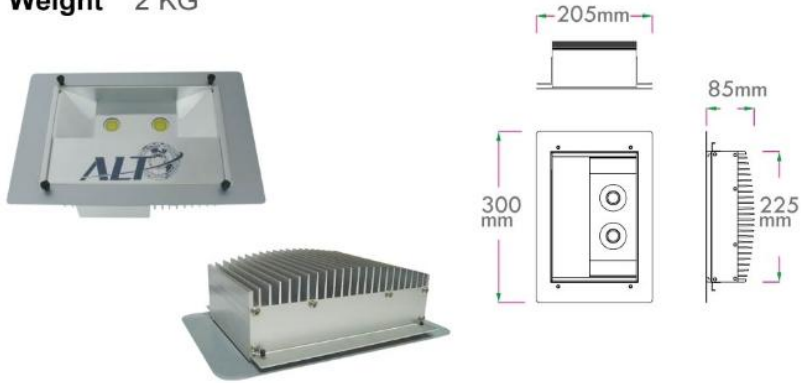
Illuminance at Distance



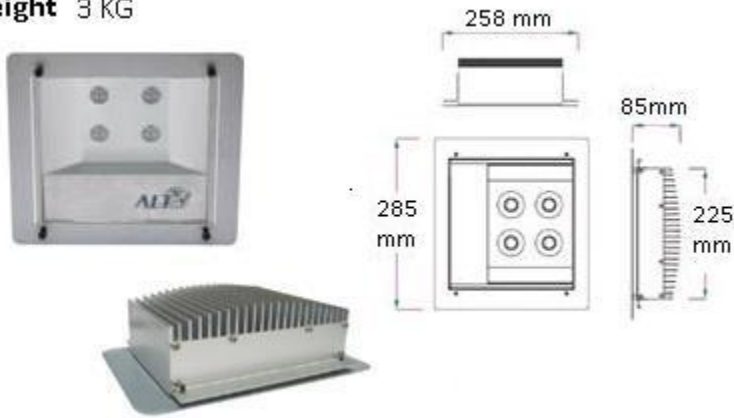


Mechanical Dimensions

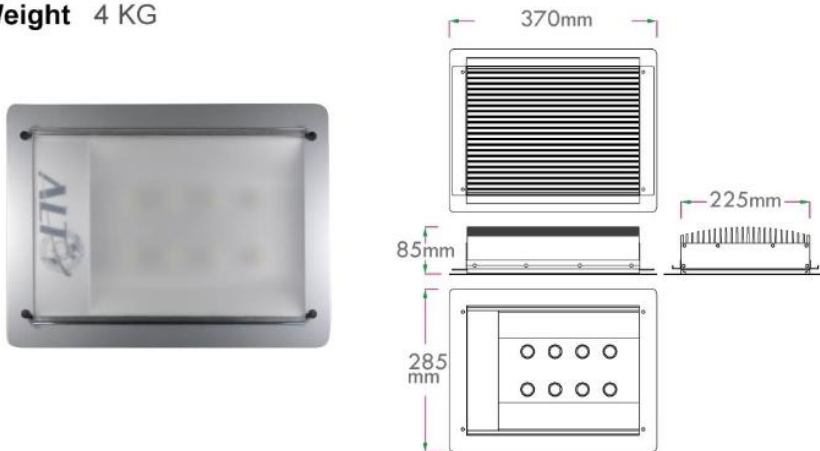
Weight 2 KG



Weight 3 KG



Weight 4 KG



Aeon Lighting Technology Inc.
16F-8., No.2, Jian 8th Rd., Zhonghe Dist.,
NEW Taipei City 235, Taiwan (R.O.C.)
Tel +886-2-8226-1289
Fax +886-2-8226-9066
www.aeonlighting.com