

Street Light



ALTLED®

Lodestar Series

Specification Sheet

Product Introduction

Used in the past as a guide to navigators, Lodestar is a bright, eternal and easily found star. ALT's Lodestar is the most efficient, and bright street light in the LED industry as what people are expecting to the stars. Possessing a high stability lighting due to its unique current fluctuation protection, our Street Lights can be placed in the harshest conditions. With a CRI of 80, Lodestar Series provides high brightness and at the same time a much improved night vision to increase pedestrian and vehicle safety. Once a traditional street light is replaced for a Lodestar Street Light, your operating and maintenance costs will be reduced up to 60% dramatically. In addition, the light of our Street Lights can be easily directed, avoiding sending light in all directions to prevent from energy wasting. Beautiful, cost-saving, and with an incredible long life-span, Lodestar Series is perfect to be a shining star in your street.

Certificates



Features

- ✓ IP68 waterproof standard.
- ✓ Integration of a patented aerospace structural design ensures optimal cooling.
- ✓ Original high-power LED chips.
- ✓ CRI 80 high-brightness.

Application

- ✓ Street Lighting.
- ✓ Parking Applications.



Specifications

Item	Specification	Details	
Output	Beam Angle	10°, 15°, 20°, 24°, 25°, 30°, 38°, 45° 50°, 60°, 80°, 90° Type I, Short 120° x 50° Type I, Medium 135° x 50° Type II, Short 130° Type II, Short 120° x 60° Type III, Short 120° x 60° Type V, Medium 135°	
		Colour Range	TW / NW / WW
		Lumen Maintenance	50,000 hours (L70 / B50)
		Input Voltage	12V DC (For Solar Power System) 24V DC (For Solar Power System) 100 ~ 240V AC
Electrical	Power Consumption	25, 30, 46, 50, 72, 75, 92, 100, 145, 150 Watts	
	Power Factor	≥ 0.9	
	Physical	Weight	3.5 kg (25, 30 Watts) 5 kg (46, 50 Watts) 6.5 kg (72, 75, 92 , 100 Watts) 8.7 kg (145, 150 Watts)
Lens		Optics PMMA	
Operating Temperature		-4° F to 121° F (-20°C to 50°C) -85° F to 121° F (-65°C to 50°C) (Optional)	
Humidity		0 – 95%, non-condensing	
Certification and Safety	Certifications	ETL, CE, FCC, LVD, RoHS, DLC Laser Testing, IP68, SAA	
	Environment	Suitable for damp location	
	Warranty	3 years	
Length limit	12VDC : T25, T50, T75 → 6m T100 → 5m T150 → 3m	24VDC : T25, T50, T75 → 6m T100 → 5m T150 → 3m	
	Two Million Worldwide Product Liability Insurance.		

Optical Characteristics

Dominant Wavelength (nm) or Colour Temperature (K)

EPISTAR LED chips

Correlated Colour Temperature	Min.	Typ.	Max.
True White	4750K	5700K	10000K
Natural White	3250K	4000K	4750K
Warm White	2500K	2700K	3250K

BRIDGELUX LED chips

Correlated Colour Temperature	Min.	Typ.	Max.
True White	4750K	5600K	7000K
Natural White	3700K	4100K	4750K
Warm White	2850K	3000K	3700K

LUXEON LED chips

Correlated Colour Temperature	Min.	Typ.	Max.
True White	5000K	6000K	6500K
Natural White	3500K	4500K	5000K
Warm White	2700K	3000K	3500K

Lamp Luminous Flux

12V DC / 24V DC / 100 ~ 240V AC

Chipsets		EPISTAR				
Power Consumption		25 W	50 W	75 W	100 W	150 W
Beam Angle		130°				
True White	CRI 70	1150 lm	2300 lm	3450 lm	4600 lm	6900 lm
Natural White	CRI 70	1000 lm	2000 lm	3000 lm	4000 lm	6000 lm
Warm White	CRI 70	800 lm	1600 lm	2400 lm	3200 lm	4800 lm

Chipsets		BRIDGELUX				
Power Consumption		30 W	46 W	72 W	92 W	145 W
Beam Angle		130°				
True White	CRI 65	1900 lm	2700 lm	4050 lm	5400 lm	8100 lm
Natural White	CRI 80	1650 lm	2300 lm	3450 lm	4600 lm	6900 lm
Warm White	CRI 82	1500 lm	2000 lm	3000 lm	4000 lm	6000 lm

Chipsets		CREE XB-D				
Power Consumption		25 W	46 W	72 W	92 W	145 W
Beam Angle		10° / 20° / 30° / 45° / 60° / 90° / 130° / 135° / 120°x50° / 135°x50° / 120° x 60°				
True White	CRI 70	1650 lm	3300 lm	4950 lm	6600 lm	9900 lm
Natural White	CRI 80	1500 lm	3000 lm	4500 lm	6000 lm	9000 lm
Warm White	CRI 80	1250 lm	2500 lm	3750 lm	5000 lm	7500 lm

Chipsets		LUXEON Rebel ES				
Power Consumption		25 W	46 W	72 W	92 W	145 W
Beam Angle		15° / 24° / 30° / 50° / 60° / 90° / 130° / 135° / 120°x50° / 135°x50° / 120° x 60°				
True White	CRI 80	1750 lm	3500 lm	5250 lm	7000 lm	10500 lm
Natural White	CRI 80	1600 lm	3200 lm	4800 lm	6400 lm	9600 lm
Warm White	CRI 80	1350 lm	2700 lm	4050 lm	5400 lm	8100 lm

Chipsets		CREE XT-E				
Power Consumption		25 W	46 W	72 W	92 W	145 W
Beam Angle		15° / 20° / 30° / 45° / 50° / 60° / 80° / 90° / 130° / 120° x 60° / 120° x 50° / 135° x 50°				
True White	CRI 70	1900 lm	3800 lm	5700 lm	7600 lm	11400 lm
Natural White	CRI 80	1750 lm	3500 lm	5250 lm	7000 lm	10500 lm
Warm White	CRI 80	1450 lm	2900 lm	4350 lm	5800 lm	8700 lm
		2200 K				
	CRI 90	1350 lm	2700 lm	4050 lm	5400 lm	8100 lm
		1160 lm	2300 lm	3500 lm	4600 lm	7000 lm

Chipsets		OSRAM Square				
Power Consumption		25 W	46 W	72 W	92 W	145 W
Beam Angle		15° / 25° / 38° / 45° / 50° / 60° / 80° / 90° / 130° / 135° / 120° x 50° / 135°x50° / 120° x 60°				
True White	CRI 70	2400 lm	4800 lm	7200 lm	9600 lm	14400 lm
Natural White	CRI 70	2200 lm	4400 lm	6600 lm	8800 lm	13200 lm
Warm White	CRI 80	1950 lm	3900 lm	5850 lm	7800 lm	11700 lm
		CRI 92	1600 lm	3200 lm	4800 lm	6400 lm

Chipsets		LUXEON Tx				
Power Consumption		25 W	46 W	72 W	92 W	145 W
Beam Angle		20° / 25° / 38° / 60° / 90° / 130° / 135° / 135°x50° / 120° x 60°				
True White	CRI 70	2200 lm	4400 lm	6600 lm	8800 lm	13200 lm
Natural White	CRI 70	2000 lm	4000 lm	6000 lm	8000 lm	12000 lm
Warm White	CRI 80	1750 lm	3500 lm	5250 lm	7000 lm	10500 lm

CREE LED chips

Correlated Colour Temperature	Min.	Typ.	Max.
True White	5000K	6000K	10000K
Natural White	3700K	4300K	5000K
Warm White	2100K	3000K	3700K

LUXEON Tx LED Chips

Correlated Colour Temperature	Min.	Typ.	Max.
True White	4500K	5650K	10000K
Natural White	3500K	4100K	4500K
Warm White	2540K	3100K	3500K



OSRAM LED Chips

Correlated Colour Temperature	Min.	Typ.	Max.
True White	5000K	6000K	7000K
Natural White	3500K	4000K	5000K
Warm White	2700K	3000K	3500K

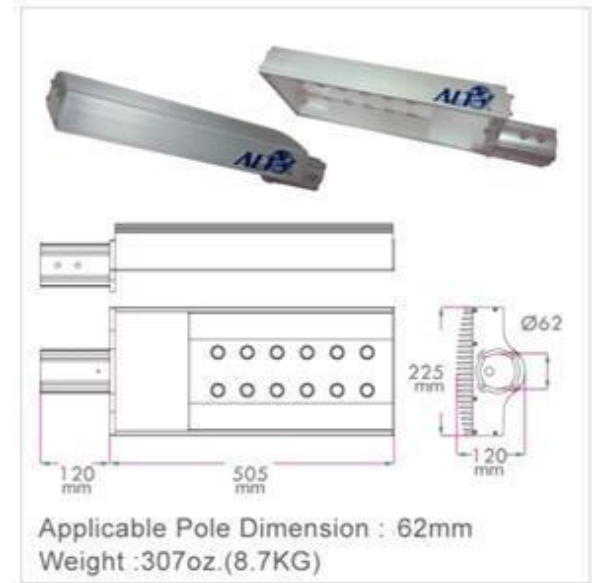
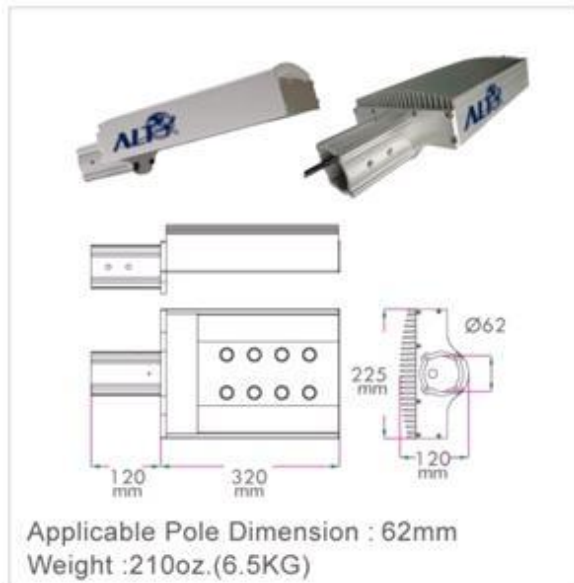
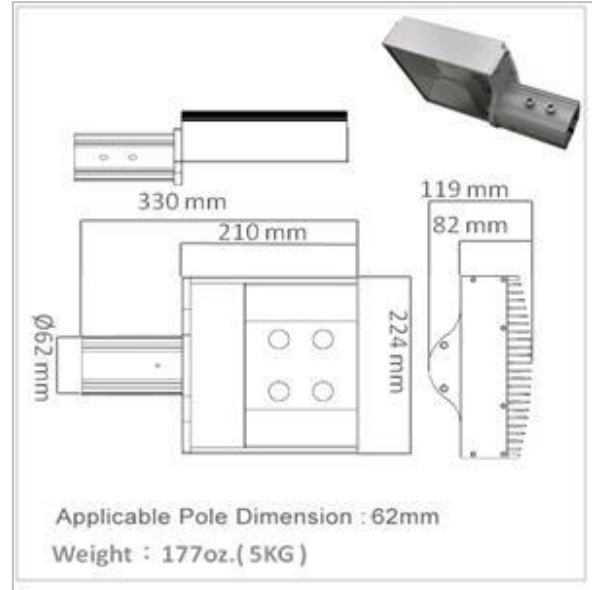
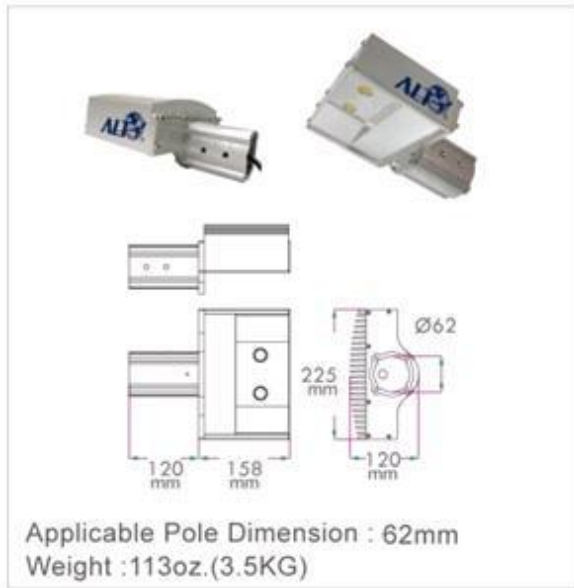
Chipsets		CREE XP-L				
Power Consumption		25 W	46 W	72 W	92 W	145 W
Beam Angle		20° / 38° / 60° / 90° / 130° / 120° x 50° / 135° x 50° / 120° x 60°				
True White	CRI 65	2400 lm	4800 lm	7200 lm	9600 lm	14400 lm
Natural White	CRI 75	2150 lm	4300 lm	6450 lm	8600 lm	12900 lm
Warm White	CRI 80	1950 lm	3900 lm	5850 lm	7800 lm	11700 lm

※All Lamp Luminous Flux Data are indicated in max values.

Accessories

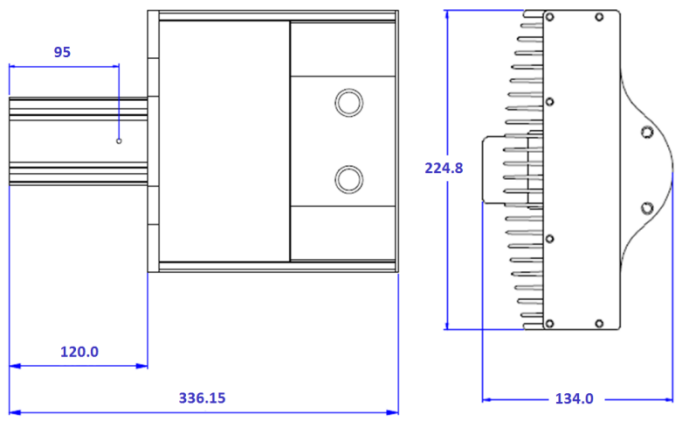
Category	Model Name	Photo
SPD	Surge Protective Device (SPD) 20KV (External / Internal Optional)	
	Surge Protective Device (SPD) 40KV (External)	-
Adapter	Waterproof Cable Adapter	

Mechanical Dimensions

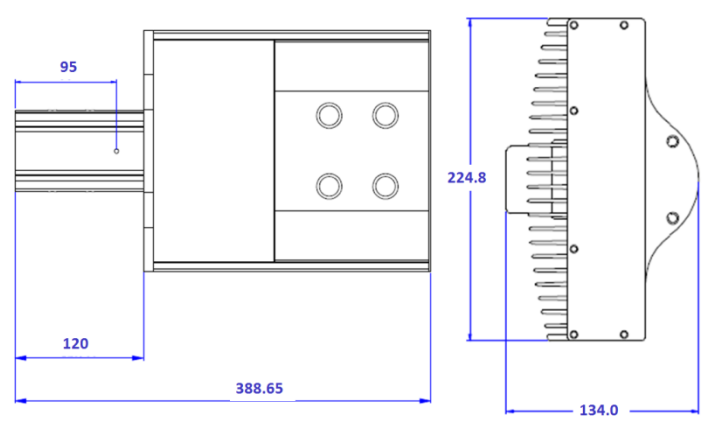


Photocell Dimensions

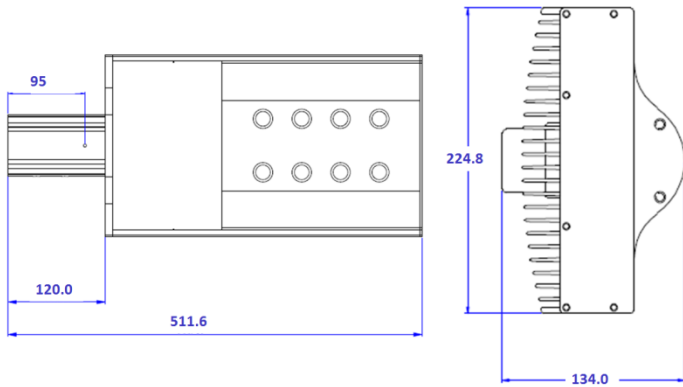
T25



T50



T75 / T100



T150

