

PAR30 IP68



ALLED® **Asteria** Series

Specification Sheet

Product Introduction

ASTERIA is a minor planet that orbits the Sun, and also considered in the Greek Mythology as the Amazon that defeat the all mighty Heracles. ALT's ASTERIA can be presented as a strong, smart and efficient light bulb. ALT's Asteria PAR IP68 Series is the most efficient and brightest LED for general lighting solution in the market, and is indeed the first high power LED to achieve the requirements in a safe, durable, and resourceful way. Concededly it is perfect for brightening up wide areas, including indoor/outdoor commercial lighting, stage lighting or fountain lighting with waterproof casing. Living wisely it allows you to reduce a considerable amount of energy consumption and maintenance costs, and at the same time provide a beautiful, elegant atmosphere. Simple and easy to install, also guaranteed by our engineers to last up to 50,000 hours, Asteria PAR IP68 series are beautifully designed and will make a big difference in any ambient it is installed. More importantly, Asteria PAR IP68 Series has been certified by the most important safety certification organisations, such as UL, LASER, PSE, RoHS, CE and FCC. All these provide a relieved safety environment to where it's applied.

Certificates



Features

- ✓ IP68 waterproof standard.
- ✓ Elegant, rich and long-lasting lighting output ideal for Interior design.
- ✓ High density aluminum increase heat dissipation.
- ✓ Up to 90% energy saving compared to standard halogen lamp.

Application

- ✓ Shop Lighting
- ✓ Commercial Lighting
- ✓ Boutique Lighting
- ✓ Illumination Lighting
- ✓ Hotel Lighting
- ✓ Outdoor lighting



Specifications

Item	Specification	Details
Output	Beam Angle	15°, 20°, 25°, 30°, 38°, 40° 45°, 50°, 60°, 80°, 90°, 100°
	Colour Range	TW / NW / WW
	Lumen Maintenance	50,000 hours
Electrical	Input Voltage	100~277V AC 24V DC
	Power Factor	> 0.9
	Power Consumption	15, 20 Watts
Physical	Bases	· E26 / 24 (US) · E26 / 27 (EURO)
	Weight	14.10 oz. (400 g)
	Lens	Optics PMMA
	Operating Temperature	-4° F to 104° F (-20°C to 40°C) -85° F to 104° F (-65°C to 40°C) (Optional)
	Humidity	0 – 95%, non-condensing
Certification and Safety	Certifications	PSE, Laser Testing, RoHS, UL ,IP68 CE , FCC, REACH, LVD, C-Tick
	Environment	Not for use in totally enclosed fixtures Suitable for damp location
	Warranty	3 years
Two Million Worldwide Product Liability Insurance.		

Optical Characteristics

Dominant Wavelength (nm) or Colour Temperature (K)

CREE LED chips

Correlated Colour Temperature	Min.	Typ.	Max.
True White	4550K	6000K	10000K
Natural White	3250K	4000K	4750K
Warm White	2100K	3000K	3500K

LUXEON LED chips

Correlated Colour Temperature	Min.	Typ.	Max.
True White	5000K	6000K	6500K
Natural White	3500K	4500K	5000K
Warm White	2700K	3000K	3500K

EPISTAR LED chips

Correlated Colour Temperature	Min.	Typ.	Max.
True White	5000K	5500K	5700K
Warm White	2870K	3000K	3220K

Lamp Luminous Flux

Chipsets		CREE XT-E	
Power Consumption		15W	20W
Beam Angle		50% 20° / 30° / 45° / 50° / 80° / 60° / 100°	
True White	CRI 70	1150 lm	1450 lm
Natural White	CRI 80	950 lm	1200 lm
Warm White	CRI 80	800 lm	1050 lm
	CRI 90	650 lm (2200K)	850 lm (2200K)
		640 lm	840 lm

Chipsets		LUXEON Rebel ES	
Power Consumption		15W	20W
Beam Angle		50% 15°/25°/30°/40°/60°/100°	
True White	CRI 80	950 lm	1200 lm
Natural White	CRI 80	800 lm	1050 lm
Warm White	CRI 80	700 lm	950 lm
	CRI 90	560 lm	760 lm

Chipsets		EPISTAR	
Power Consumption		15W	
Beam Angle		50% 45° / 60° / 100°	
True White	CRI 98	560 lm	
Warm White	CRI 98	420 lm	

Chipsets		Lumileds - LUXEON Q	
Power Consumption		15W	20W
Beam Angle		50% 60° / 100°	
True White	CRI 80	1200 lm	1500 lm
Natural White	CRI 80	1050 lm	1300 lm
Warm White	CRI 80	850 lm	1100 lm

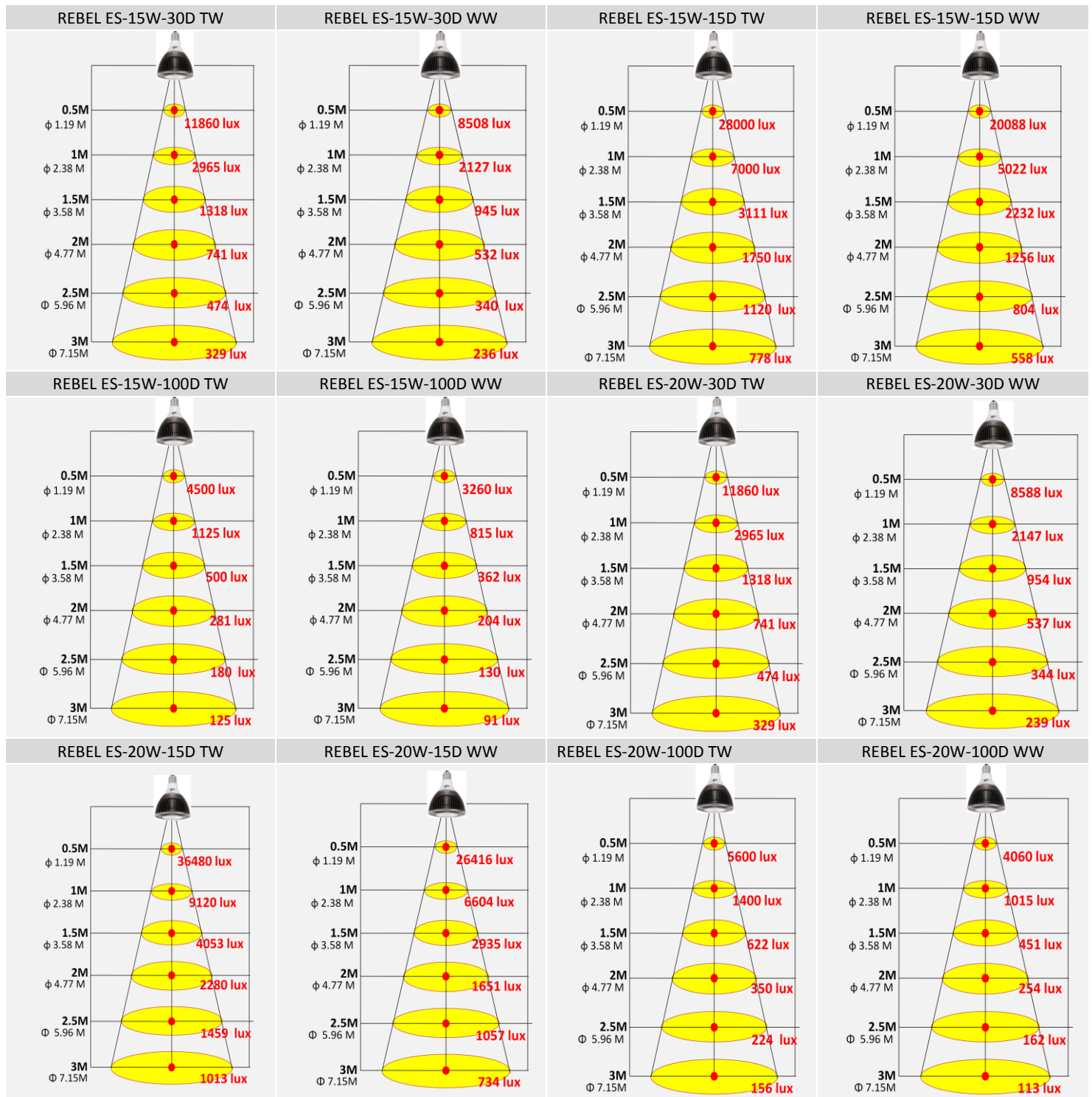
Chipsets		OSRAM Square	
Power Consumption		15W	20W
Beam Angle		50% 25° / 38° / 45° / 50° / 60° / 80° / 100°	
True White	CRI 70	1200 lm	1500 lm
Natural White	CRI 70	1050 lm	1400 lm
Warm White	CRI 80	900 lm	1200 lm
	CRI 92	720 lm (2400K)	960 lm (2400K)
		720 lm	960 lm

Chipsets		LUXEON Tx	
Power Consumption		15W	20W
Beam Angle		50% 60° / 100°	
True White	CRI 70	1200 lm	1500 lm
Natural White	CRI 70	1050 lm	1400 lm
Warm White	CRI 80	900 lm	1200 lm

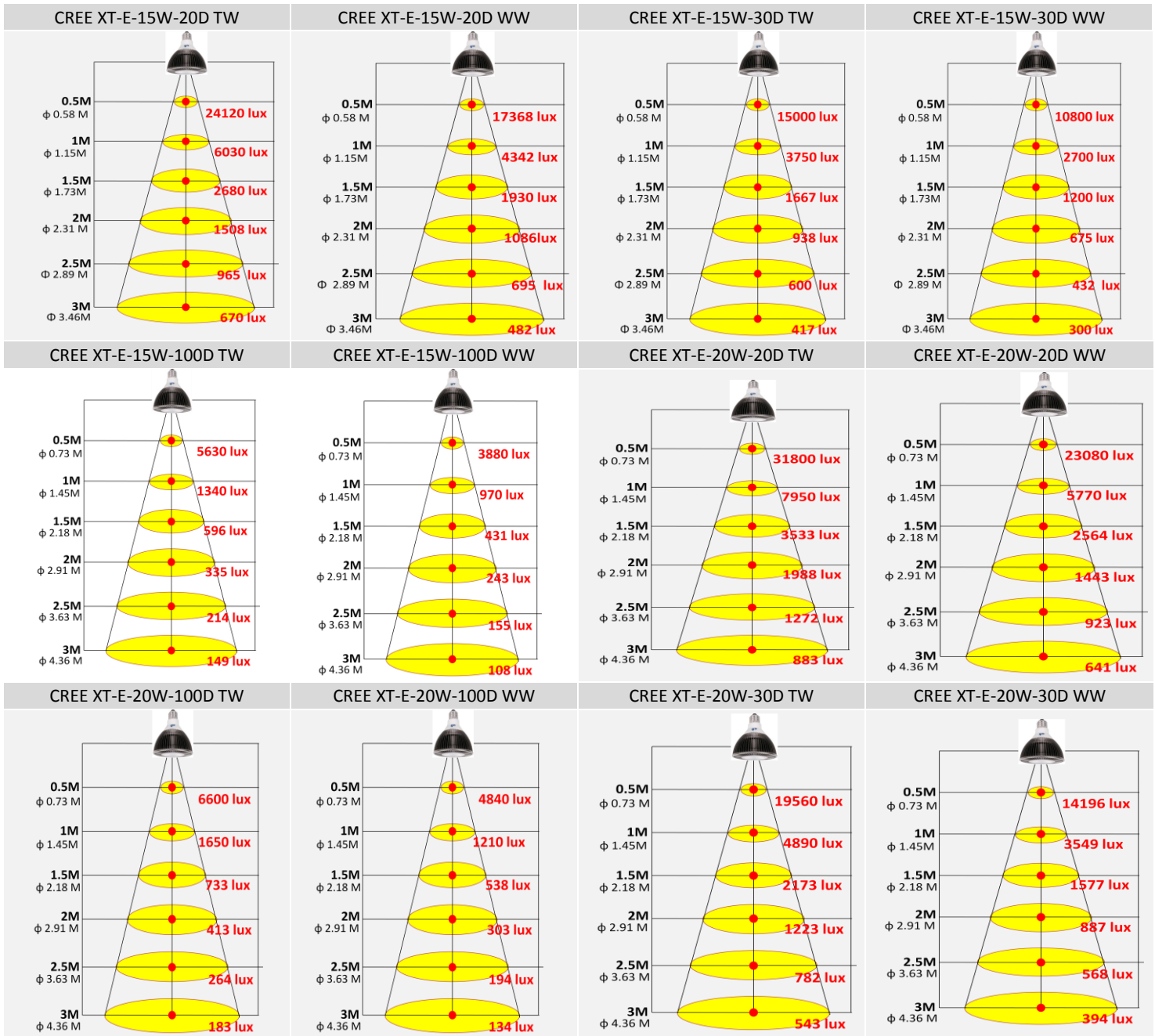
Chipsets		CREE XP-L	
Power Consumption		15W	20W
Beam Angle		50% 20° / 38° / 60° / 90°	
True White	CRI 65	1450 lm	1750 lm
Natural White	CRI 75	1300 lm	1600 lm
Warm White	CRI 80	1100 lm	1450 lm

※All Lamp Luminous Flux Data are indicated in max values

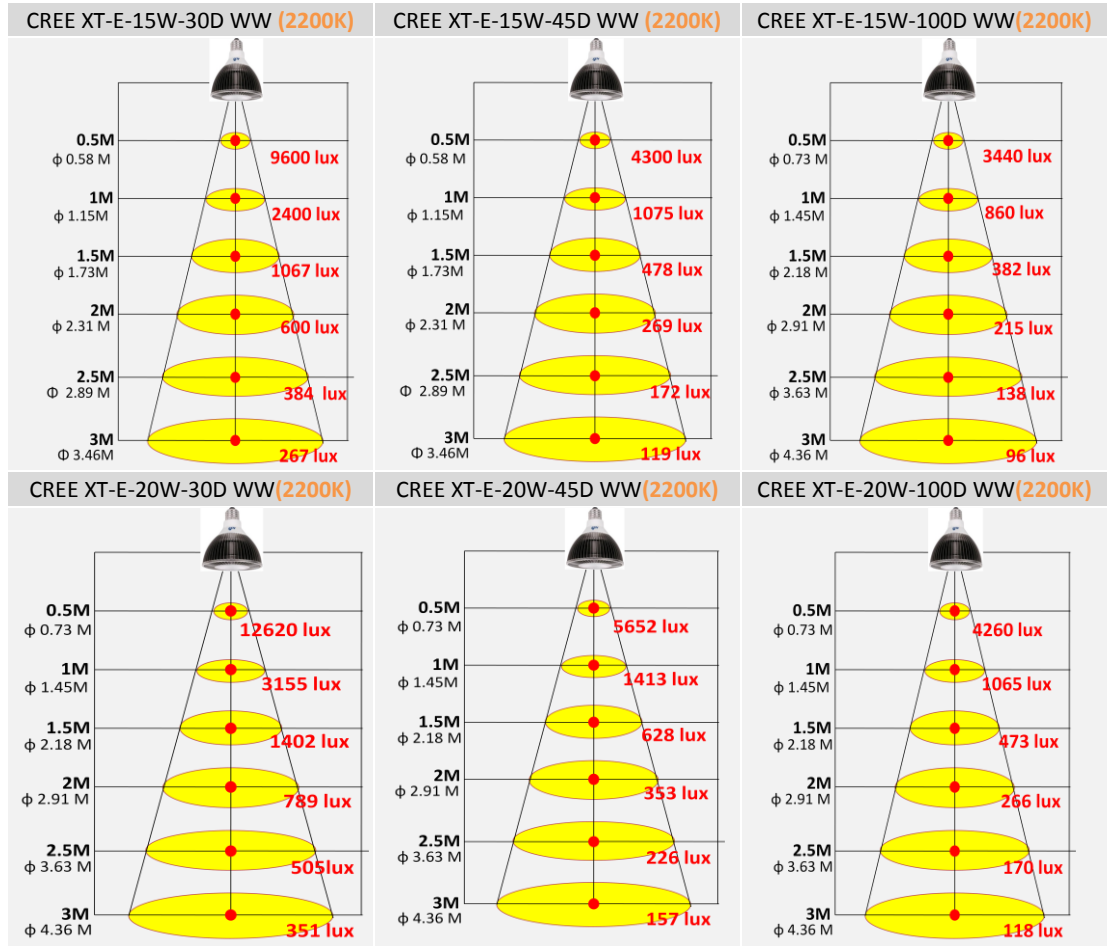
Illuminance at Distance



Illuminance at Distance



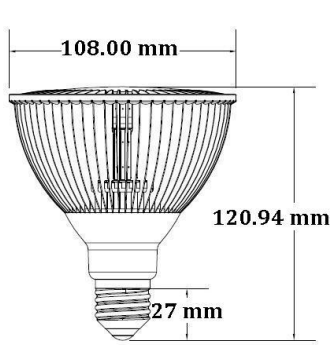
Illuminance at Distance



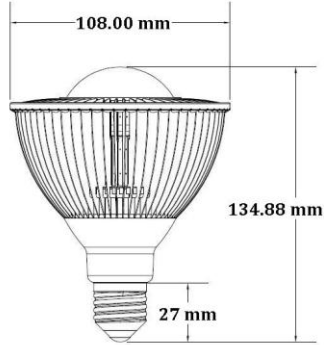
Mechanical Dimensions

P03

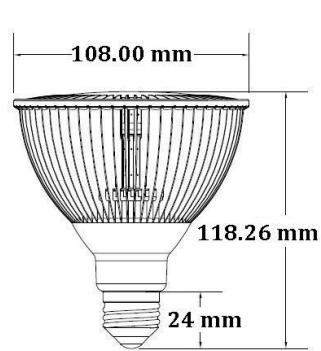
E26/27(EURO)
Beam Angle 25°, 38°, 60°, 90°, 135°



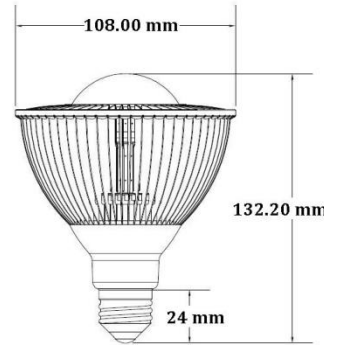
E26/27(EURO)
Beam Angle 100°



E26/24(US)
Beam Angle 25°, 38°, 60°, 90°, 135°

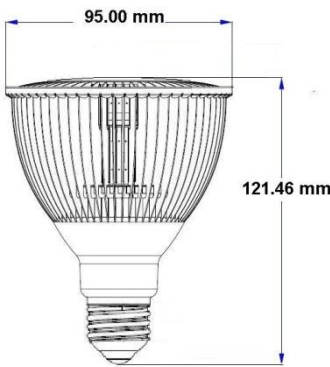


E26/24(US)
Beam Angle 100°

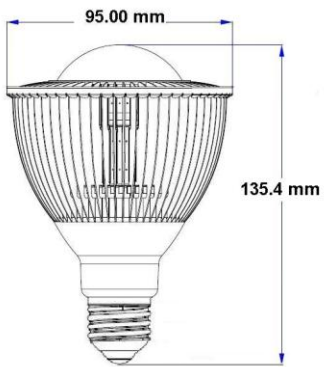


P04

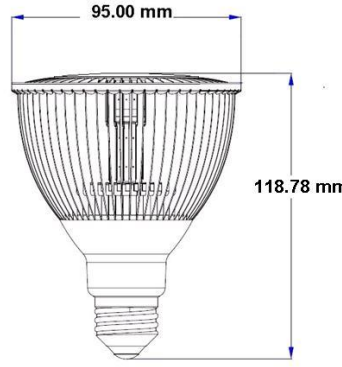
E26/27(EURO)
Beam Angle 25°, 38°, 60°, 90°, 135°



E26/27(EURO)
Beam Angle 100°



E26/24(US)
Beam Angle 25°, 38°, 60°, 90°, 135°



E26/24(US)
Beam Angle 100°

