

BR40



ALTLED® **Asteria** Series

Specification Sheet

Product Introduction

ASTERIA is a minor planet that orbits the Sun, and also considered in the Greek Mythology as the Amazon that defeat the all mighty Heracles. ALT's ASTERIA can be presented as a strong, smart and efficient light bulb. ALT's Asteria BR Series is the most efficient and brightest LED for general lighting solution in the market, and is indeed the first high power LED to achieve the requirements in a safe, durable, and resourceful way. Concededly it is perfect for brightening up wide areas, including your living room, lobbies in Hotels, and dining areas in restaurants. Living wisely it allows you to reduce a considerable amount of energy consumption and maintenance costs, and at the same time provide a beautiful, elegant atmosphere. Simple and easy to install, also guaranteed by our engineers to last up to 40,000 hours, Asteria BR series are beautifully designed and will make a big difference in any ambient it is installed. More importantly, Asteria BR Series has been certified by the most important safety certification organisations, such as UL, TÜV, CE and FCC. All these provide a relieved safety environment to where it's applied.

Certificates



Features

- ✓ Elegant, rich and long-lasting lighting output ideal for Interior design.
- ✓ High density aluminum increase heat dissipation.
- ✓ Up to 90% energy saving compared to standard halogen lamp.

Application

- ✓ Shop Lighting
- ✓ Commercial Lighting
- ✓ Boutique Lighting
- ✓ Illumination Lighting
- ✓ Hotel Lighting



Specifications

Item	Specification	Details
Output	Beam Angle	15°, 25°, 38°, 50°, 60°, 100°
	Colour Range	TW / NW / WW
	Lumen Maintenance	40,000 hours
Electrical	Input Voltage	100 ~ 277V AC 24V DC
	Power Consumption	35 Watts
	Power Factor	>0.9
Physical	Bases	· E26 / 24 (US) · E26 / 27 (EURO)
	Weight	15.17 oz. (430 g)
	Lens	Optics PMMA
	Operating Temperature	-4° F to 104° F (-20°C to 40°C)
	Humidity	0 – 95%, non-condensing
Certification and Safety	Certifications	UL, CE, FCC, TÜV, RoHS, C-Tick Laser Testing, REACH
	Environment	Not for use in totally enclosed fixtures Suitable for damp location
	Warranty	3 years
Two Million Worldwide Product Liability Insurance.		

Lamp Luminous Flux

Chipsets	OSRAM Square	
Power Consumption	35W	
Beam Angle	50%	60° / 100°
True White	CRI 70	3350 lm
Natural White	CRI 70	3050 lm
Warm White	CRI 80	2350 lm

Chipsets	CREE XT-E	
Power Consumption	20W	
Beam Angle	10%	60° / 100°
True White	CRI 70	1550 lm
Natural White	CRI 80	1400 lm
Warm White	CRI 80	1125 lm
	CRI 90	1000lm (2200K) 900 lm

Chipsets	BRIDGELUX	
Power Consumption	20W	35W
Beam Angle	10%	50° / 60° / 100°
True White	CRI 65	1450 lm
Natural White	CRI 80	1350 lm
Warm White	CRI 82	850 lm

Chipsets	CREE XM-L	
Power Consumption	35W	
Beam Angle	10%	15° / 25° / 38° / 60° / 100°
True White	CRI 65	3200 lm
Natural White	CRI 75	2900 lm
Warm White	CRI 80	2200 lm

※All Lamp Luminous Flux Data are indicated in max values.

Optical Characteristics

Dominant Wavelength (nm) or Colour Temperature (K)

BRIDGELUX LED chips

Correlated Colour Temperature	Min.	Typ.	Max.
True White	4750K	5600K	7000K
Natural White	3700K	4100K	4750K
Warm White	2850K	3000K	3700K

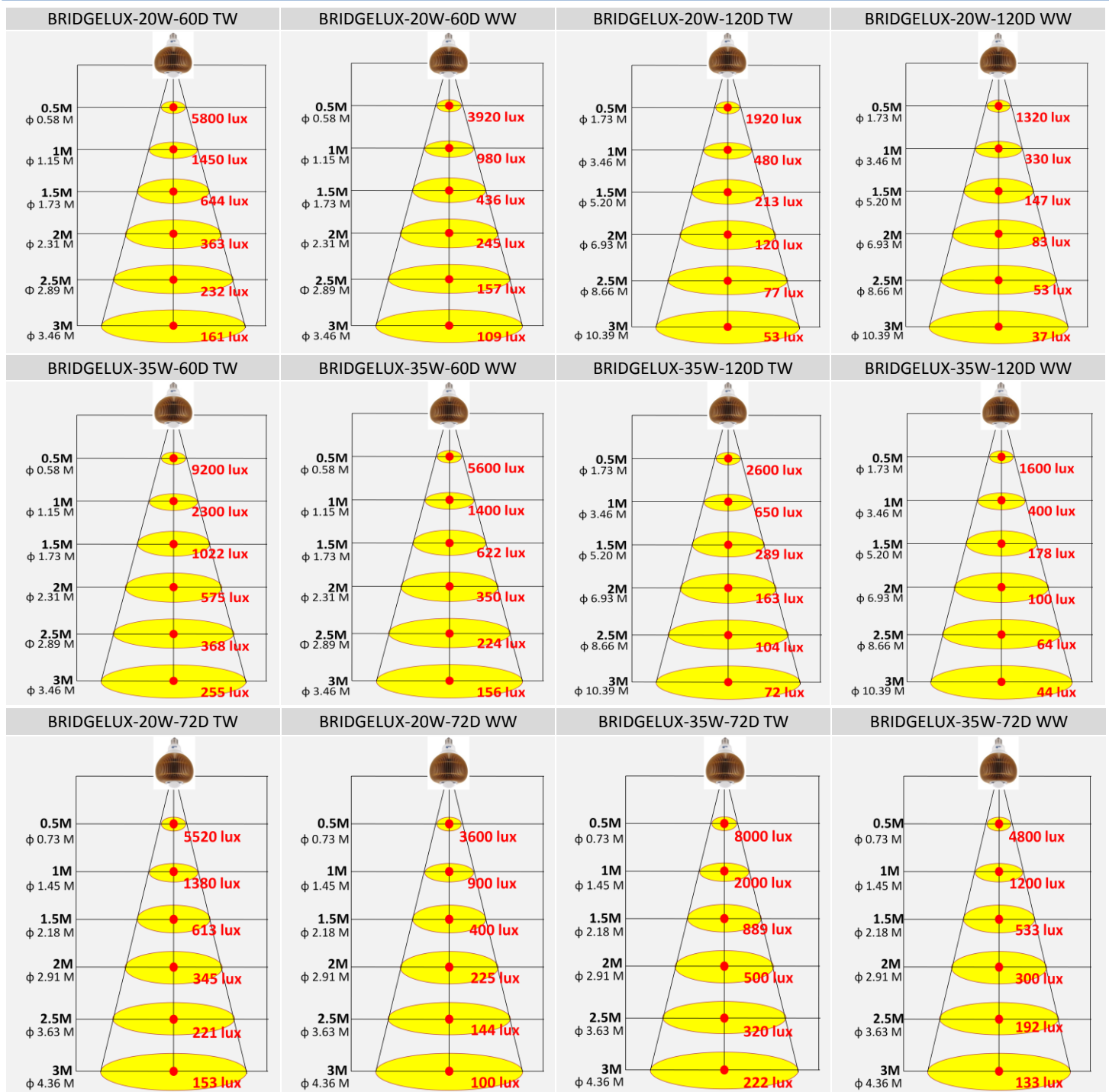
OSRAM LED Chips

Correlated Colour Temperature	Min.	Typ.	Max.
True White	5000K	6000K	7000K
Natural White	3500K	4000K	5000K
Warm White	2700K	3000K	3500K

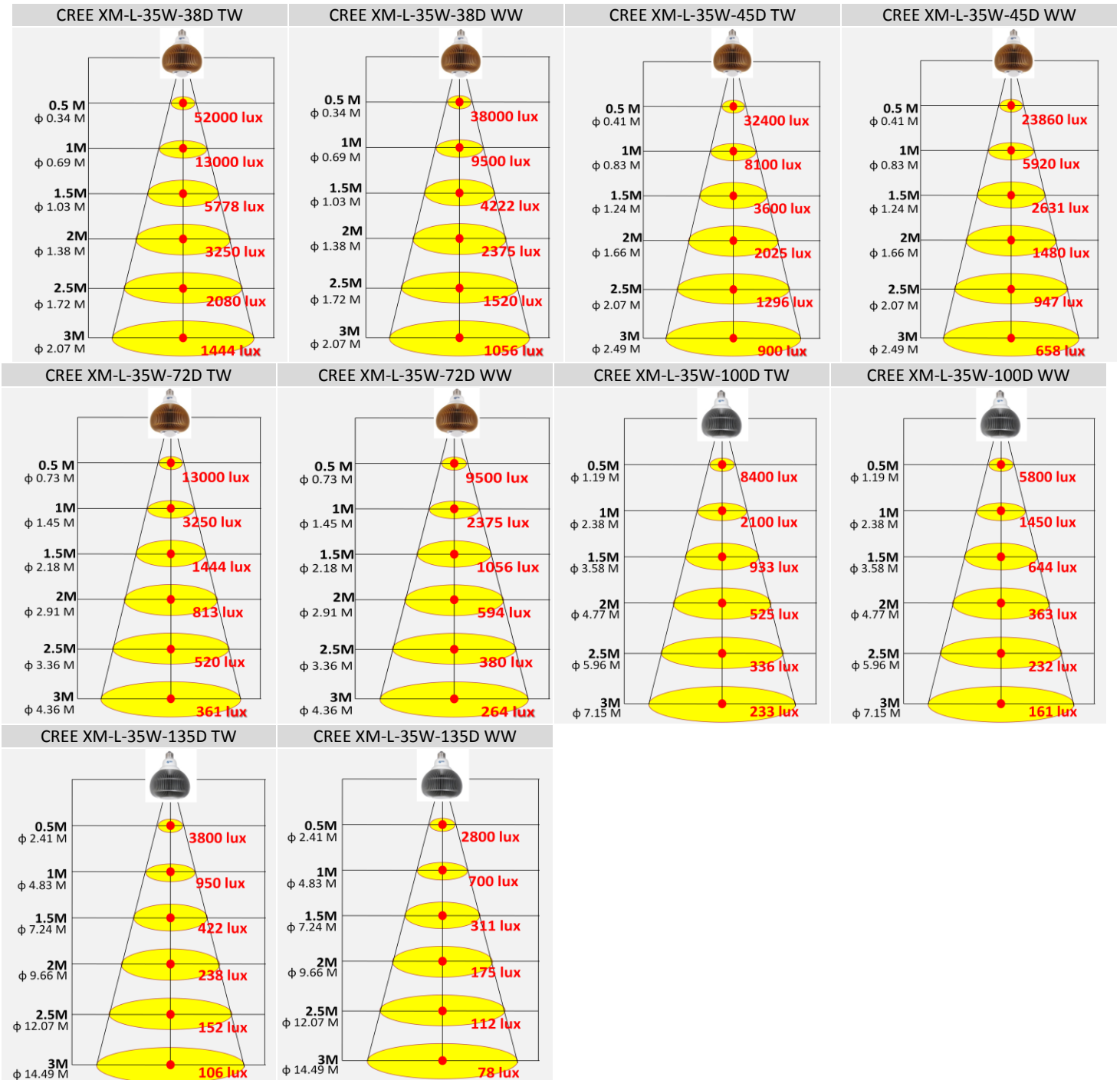
CREE LED chips

Correlated Colour Temperature	Min.	Typ.	Max.
True White	4500K	6500K	10000K
Natural White	3500K	4100K	4500K
Warm White	2100K	3100K	3500K

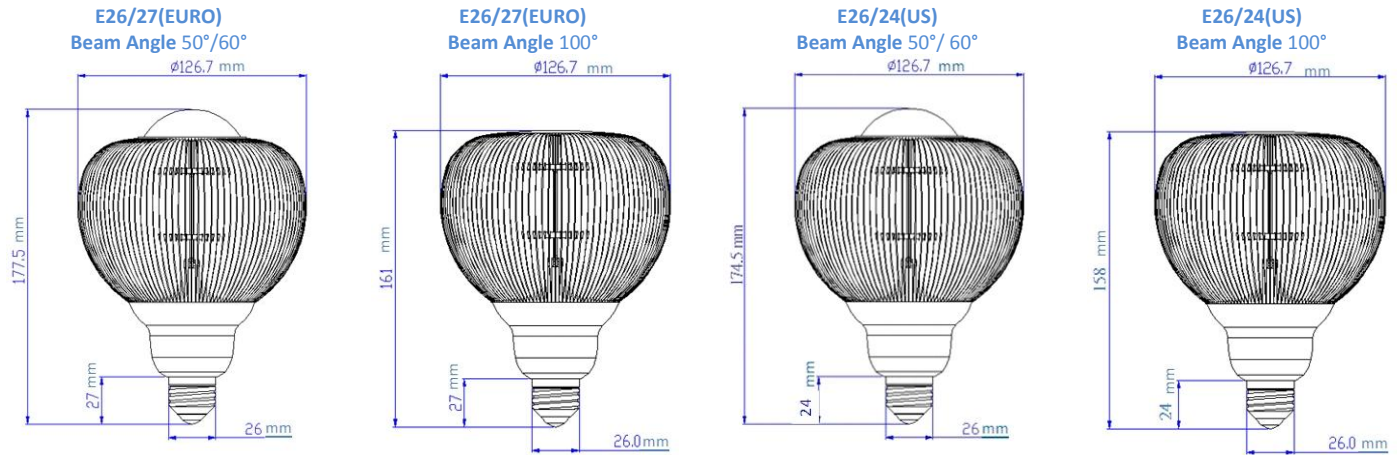
Luminance at Distance



Illuminance at Distance



Mechanical Dimensions



Aeon Lighting Technology Inc.
16F-8., No.2, Jian 8th Rd., Zhonghe Dist.,
New Taipei City 235, Taiwan (R.O.C.)
Tel +886-2-8226-1289
Fax +886-2-8226-9066
www.aeonlighting.com

Copyright © Aeon Lighting Technology Inc. All rights reserved.

ALT and ALTED are either registered trademarks of Aeon Lighting Technology Inc. in Taiwan and/or other countries. All other brand or products names are trademarks or registered trademarks of their respective owners. Due to continuous improvement and innovations, specifications may change without notice.

