



Pursuit of perfection environmental purity.



Aeon Lighting Technology Inc.

16F.-8, No.2, Jianba Rd., Zhonghe Dist.,
New Taipei City 235, Taiwan

TEL : +886-2-8226-1289

E-mail : info@aeonlighting.com



Two Million US Dollars Product Liability Insurance
Copyright © 2013 Aeon Lighting Technology Inc.
ver 01 (LAMP LUMINOUS FLUX) Apr.



Aeon Lighting Technology Inc.



High Power LED Lighting Solutions

www.aeonlighting.com

2014 ver 01 (LAMP LUMINOUS FLUX)





ALT outdoor product line includes LED street light, wall wash light, and all kind of scene lighting. As global trend for clean energy, ALTLED® is the first company to create outdoor lighting products through high technology. ALT outdoor products can replace with all kind of lighting fixture directly, including high power LED streetlight with international standards.

Currently, ALTLED® outdoor series have several certifications and no other manufacturers can compete with. In addition to the international major certifications: UL, cUL, ETL, TUV, CE, and FCC, ALT Lodestar streetlight series is the only product passed the critical ITRI test and obtained CNS 15233 and CNS official Mark certification.

Five Major Advantages for Outdoor Series :

- Complete safety certifications: UL, cUL, ETL, TUV, CE, FCC and CNS 15233
- System stability: unique outdoor heat-dissipation design without being influenced by weather.
- Tough environment operation: pass several high and low temperature environment and salt tests. Suitable for any weather and environment.
- Highly availability: supporting various angles and power requirements, suitable for all kind of outdoor usages
- Total water-resistance: passed international IP68 water-resistance testing, can be used under water for more than 10,000 hours.

Lodestar series

Used in the past as a guide to navigators, LODESTAR is a bright, easily found star. As outdoor lighting series have to be, ALT's LODESTAR street light and flood light are beautiful, cost-saving, and with an incredible long life-span.

Street Light

S01



P. 83

S02 / S02 (Solar)



P. 84

S04



P. 89

Floodlight

F01



P. 83

F02 / F02 (Solar)



P. 84

F04



P. 89

Theseus series

Anti-Explosive Lamp



P. 92

Grow Light series

Grow Light



P. 94

Street Light

ALT's Lodestar street light series is the most efficient, and bright product in the LED industry as is to be expected from the stars. Possessing a high stability lighting due to its unique current fluctuation protection, our Street Lights can be placed in the harshest conditions. With a CRI of 80, Lodestar street light series provides high brightness and at the same time a much improved night vision to increase pedestrian and vehicle safety. Once a traditional street light is replaced for a Lodestar street light, your operating and maintenance costs will be dramatically reduced up to 60%. In addition, the light of our street lights can be easily directed, avoiding sending light in all directions to prevent from energy wasting. Beautiful, cost-saving, and with an incredible long life-span, Lodestar street light series is perfect to be a shining star in your street.

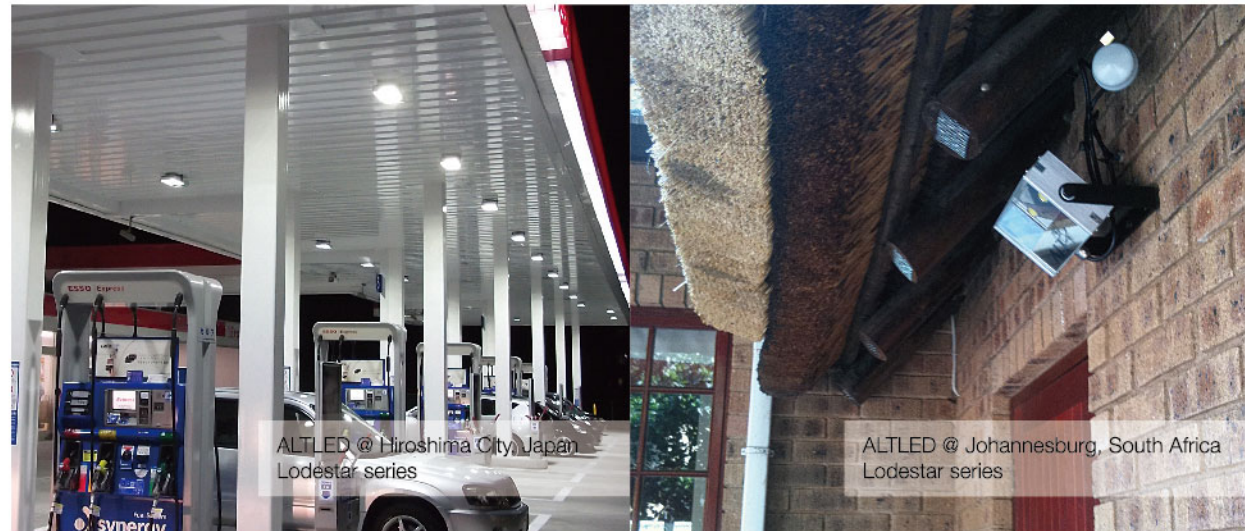


ALTLED @ Taipei, Taiwan
Lodestar series

ALTLED @ Johannesburg, South Africa
Lodestar series

Floodlight

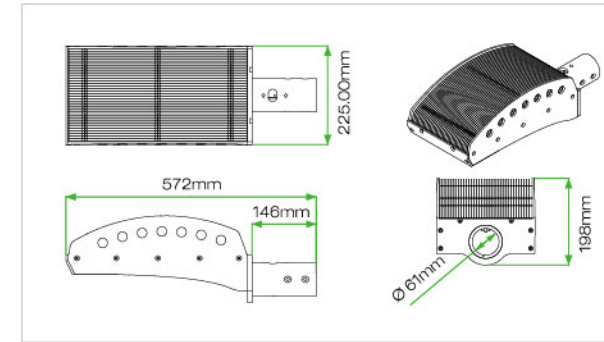
ALT's Lodestar floodlight series is in fact one of the brightest LED in the world, going up to an astonishing lumens of 16,800. Integrated with a patented aerospace structural design, and providing consistent light intensity and high performance even in extreme climates, ALT's Lodestar floodlight is ideal for large outdoor areas including external wall, gardens, harbors and sport fields. Furthermore, ALT is proud to announce that it has launched a revolutionary product called LED Grow Light. Also under the Lodestar floodlight series, our Grow Light changes the way we grow plants indoor. By providing much less heat, Lodestar Grow Light consumes less power by delivering the perfect effects that included Red, Green and Blue. This will consequently provide a much more efficient and faster growing.



ALTLED @ Hiroshima City, Japan
Lodestar series

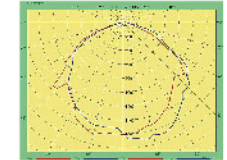
ALTLED @ Johannesburg, South Africa
Lodestar series

Street Light S01

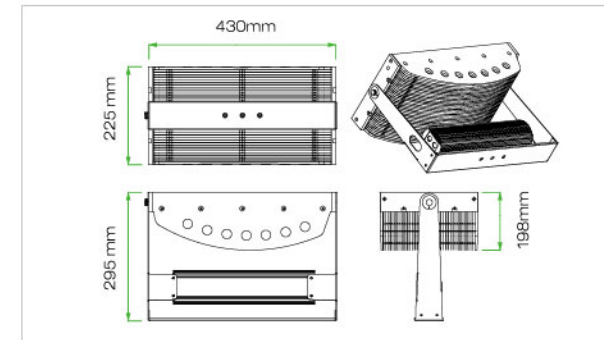


Working Voltage **100 - 240V AC**
Weight **113 oz. (9-11 kg)**
Applicable Pole Dimension **1 5/8" - 2 3/8" (42 - 61 mm)**
Operating Temp **-20°C to +50°C**
Lifespan **50,000 hours**
Warranty **3 Years Limited**

CANDLE POWER DISTRIBUTION
IES Classification
Type II, Short
Beam Angle : **130°**

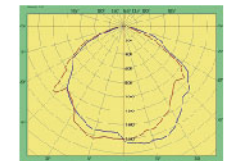


Floodlight F01



Working Voltage **100 - 240V AC**
Weight **113 oz. (9-11 kg)**
Operating Temp **-20°C to +50°C**
Lifespan **50,000 hours**
Warranty **3 Years Limited**

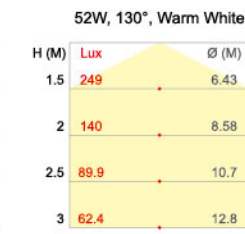
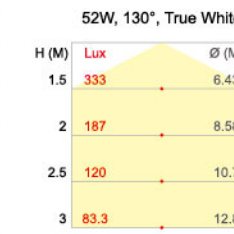
CANDLE POWER DISTRIBUTION
IES Classification
Type II, Short
Beam Angle : **130°**



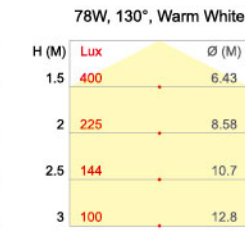
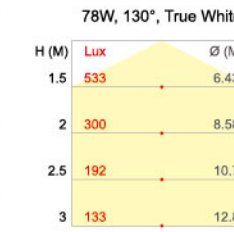
LAMP LUMINOUS FLUX

All Lamp Luminous Flux Data are Indicated in Max Values

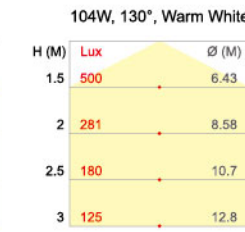
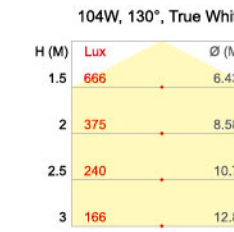
Chipsets	EPISTAR	
Type	S01-L60	F01-L60
Power Consumption	52 Watts	
Beam Angle	130°	
True White	CRI 70	2200 lm
Warm White	CRI 70	1700 lm



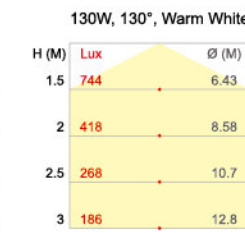
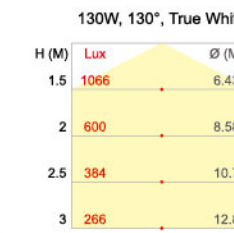
Chipsets	EPISTAR	
Type	S01-L90	F01-L90
Power Consumption	78 Watts	
Beam Angle	130°	
True White	CRI 70	3400 lm
Warm White	CRI 70	2700 lm



Chipsets	EPISTAR	
Type	S01-L120	F01-L120
Power Consumption	104 Watts	
Beam Angle	130°	
True White	CRI 70	4600 lm
Warm White	CRI 70	3600 lm

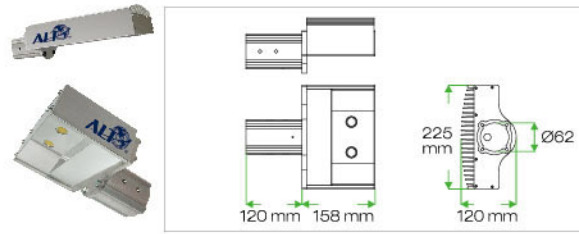


Chipsets	EPISTAR	
Type	S01-L150	F01-L150
Power Consumption	130 Watts	
Beam Angle	130°	
True White	CRI 70	5800 lm
Warm White	CRI 70	4600 lm



Street Light - S02T25

IP68



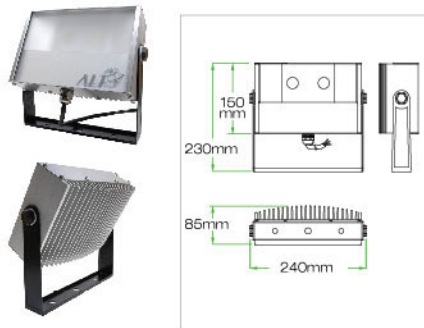
100 - 240V AC
(Power Factor: ≥ 0.9)
Operating Temp: -40°C to +50°C
-65°C to +50°C

12V DC, 24V DC
(for Solar Power System)
Operating Temp: -40°C to +50°C

Weight **113 oz. (3.5 kg)**
Lifespan **50,000 hours**
Warranty **3 Years Limited**
Applicable Pole Dimension **42-62mm**

Floodlight - F02T25

IP68

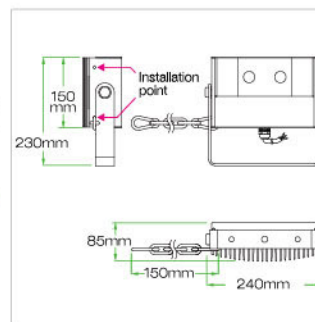


Standard

100 - 240V AC
(Power Factor: ≥ 0.9)
Operating Temp: -40°C to +50°C
-65°C to +50°C

12V DC, 24V DC
(for Solar Power System)
Operating Temp: -40°C to +50°C

Weight **113 oz. (3.5 kg)**
Lifespan **50,000 hours**
Warranty **3 Years Limited**



Industrial Plus

100 - 240V AC
(Power Factor: ≥ 0.9)
Operating Temp: -40°C to +50°C
-65°C to +50°C

12V DC, 24V DC
(for Solar Power System)
Operating Temp: -40°C to +50°C

Steel Chain **150cm**
Weight **155 oz. (4.4 kg)**
Lifespan **50,000 hours**
Warranty **5 Years Limited**

LAMP LUMINOUS FLUX

All Lamp Luminous Flux Data are Indicated in Max Values

Chipsets	XT-E	
Power Consumption	25 Watts	
Working Voltage	100 - 240V AC, 24V DC	
Beam Angle	15° / 20° / 30° / 45° / 60° / 90° / 130° (120° x 50°) / (120° x 60°) / (135° x 50°)	
True White	CRI 70	1900 lm
Natural White	CRI 80	1750 lm
Warm White	CRI 80	1450 lm
Warm White	CRI 80	1350 lm
	<i>CK: 2200K</i>	

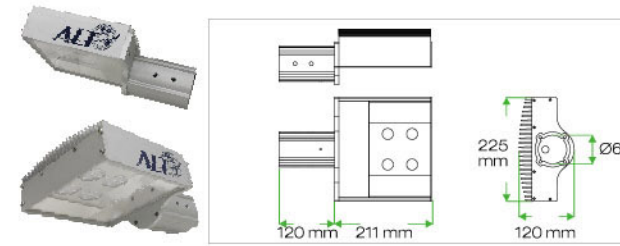
Chipsets	XB-D	
Power Consumption	25 Watts	
Working Voltage	100 - 240V AC, 24V DC	
Beam Angle	10° / 20° / 30° / 45° / 60° / 90° / 130° / 135° / (120°x50°) / (120°x60°) / (135°x50°)	
True White	CRI 80	1650 lm
Natural White	CRI 80	1500 lm
Warm White	CRI 80	1250 lm

Chipsets	XP-G	Rebel ES	XP-E	Rebel
Power Consumption	25 Watts	25 Watts	25 Watts	
Working Voltage	12V DC, 100 - 240V AC, 24V DC	100 - 240V AC, 24V DC	100 - 240V AC, 24V DC	
Beam Angle	130°	15° / 24° / 30° / 50° / 60° / 90° / 130° / 135° (120°x50°) / (120°x60°) / (135°x50°)	10° / 20° / 30° / 45° / 60° / 90° / 130° / 135° / (120°x50°) / (120°x60°) / (135°x50°)	
True White	CRI 80	1750 lm		1350 lm
Natural White	CRI 80	1600 lm		1150 lm
Warm White	CRI 80	1350 lm		1000 lm

Chipsets			Chipsets		
Power Consumption	30 Watts		Power Consumption	25 Watts	
Working Voltage	100 - 240V AC, 24V DC		Working Voltage	100 - 240V AC, 12V DC, 24V DC	
Beam Angle	130°		Beam Angle	130°	
True White	CRI 65	1900 lm	True White	CRI 70	1150 lm
Natural White	CRI 80	1650 lm	Natural White	CRI 70	1000 lm
Warm White	CRI 82	1500 lm	Warm White	CRI 70	800 lm

Street Light - S02T50

IP68



100 - 240V AC
(Power Factor: ≥ 0.9)
Operating Temp: -40°C to +50°C
-65°C to +50°C

12V DC, 24V DC
(for Solar Power System)
Operating Temp: -40°C to +50°C

Weight **176.4 oz. (5 kg)**
Lifespan **50,000 hours**
Warranty **3 Years Limited**
Applicable Pole Dimension **42-62mm**

Floodlight - F02T50

IP68

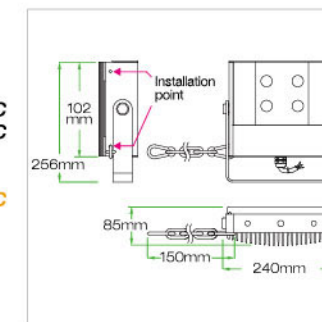


Standard

100 - 240V AC
(Power Factor: ≥ 0.9)
Operating Temp: -40°C to +50°C
-65°C to +50°C

12V DC, 24V DC
(for Solar Power System)
Operating Temp: -40°C to +50°C

Weight **176.4 oz. (5 kg)**
Lifespan **50,000 hours**
Warranty **3 Years Limited**



Industrial Plus

100 - 240V AC
(Power Factor: ≥ 0.9)
Operating Temp: -40°C to +50°C
-65°C to +50°C

12V DC, 24V DC
(for Solar Power System)
Operating Temp: -40°C to +50°C

Steel Chain **150cm**
Weight **208 oz. (5.9 kg)**
Lifespan **50,000 hours**
Warranty **5 Years Limited**

LAMP LUMINOUS FLUX

All Lamp Luminous Flux Data are Indicated in Max Values

Chipsets	XT-E	
Power Consumption	46 Watts	
Working Voltage	100 - 240V AC, 24V DC	
Beam Angle	15° / 20° / 30° / 45° / 60° / 90° / 130° (120° x 50°) / (120° x 60°) / (135° x 50°)	
True White	CRI 70	3800 lm
Natural White	CRI 80	3500 lm
Warm White	CRI 80	2900 lm
Warm White	CRI 80	2700 lm
	<i>CK: 2200K</i>	

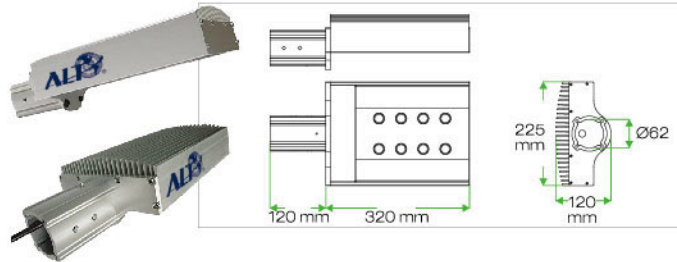
Chipsets	XB-D	
Power Consumption	46 Watts	
Working Voltage	100 - 240V AC, 24V DC	
Beam Angle	10° / 20° / 30° / 45° / 60° / 90° / 130° / 135° / (120°x50°) / (120°x60°) / (135°x50°)	
True White	CRI 80	3300 lm
Natural White	CRI 80	3000 lm
Warm White	CRI 80	2500 lm

Chipsets	XP-G	Rebel ES	XP-E	Rebel
Power Consumption	46 Watts	46 Watts	46 Watts	
Working Voltage	12V DC, 100 - 240V AC, 24V DC	100 - 240V AC, 24V DC	100 - 240V AC, 24V DC	
Beam Angle	130°	15° / 24° / 30° / 50° / 60° / 90° / 130° / 135° (120°x50°) / (120°x60°) / (135°x50°)	10° / 20° / 30° / 45° / 60° / 90° / 130° / 135° / (120°x50°) / (120°x60°) / (135°x50°)	
True White	CRI 80	3500 lm		2700 lm
Natural White	CRI 80	3200 lm		2300 lm
Warm White	CRI 80	2700 lm		2000 lm

Chipsets			Chipsets		
Power Consumption	46 Watts		Power Consumption	50 Watts	
Working Voltage	100 - 240V AC, 24V DC		Working Voltage	100 - 240V AC, 12V DC, 24V DC	
Beam Angle	130°		Beam Angle	130°	
True White	CRI 65	3600 lm	True White	CRI 70	2300 lm
Natural White	CRI 80	3400 lm	Natural White	CRI 70	2000 lm
Warm White	CRI 82	2500 lm	Warm White	CRI 70	1600 lm

Street Light - S02T75

IP68 CEFC F LVD Testing Complete RoHS Compliant Laser Testing Intertek 3186663



100 - 240V AC
(Power Factor: ≥ 0.9)
Operating Temp: -40°C to +50°C
-65°C to +50°C

24V DC
(for Solar Power System)
Operating Temp: -40°C to +50°C

Weight **210 oz. (6.5 kg)**
Lifespan **50,000 hours**
Warranty **3 Years Limited**
Applicable Pole Dimension **42-62mm**

Floodlight - F02T75

IP68 PS E CEFC D LVD Testing Complete RoHS Compliant Laser Testing Intertek 3186663



Standard

100 - 240V AC
(Power Factor: ≥ 0.9)
Operating Temp: -40°C to +50°C
-65°C to +50°C

24V DC
(for Solar Power System)
Operating Temp: -40°C to +50°C

Weight **210 oz. (6.5 kg)**
Lifespan **50,000 hours**
Warranty **3 Years Limited**

Industrial Plus

100 - 240V AC
(Power Factor: ≥ 0.9)
Operating Temp: -40°C to +50°C
-65°C to +50°C

24V DC
(for Solar Power System)
Operating Temp: -40°C to +50°C

Steel Chain **150cm**
Weight **265 oz. (7.5 kg)**
Lifespan **50,000 hours**
Warranty **5 Years Limited**

LAMP LUMINOUS FLUX

All Lamp Luminous Flux Data are Indicated in Max Values

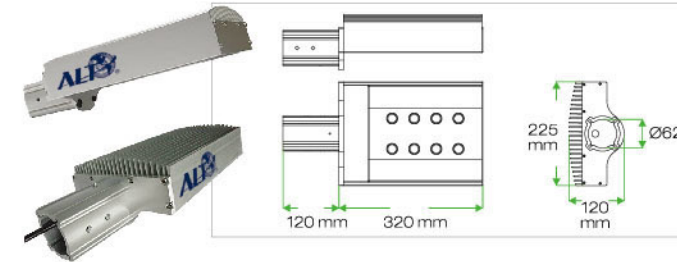
Chipsets	CREE LEDs XT-E	Chipsets	CREE LEDs XB-D
Power Consumption	72 Watts	Power Consumption	72 Watts
Working Voltage	100 - 240V AC, 24V DC	Working Voltage	100 - 240V AC, 24V DC
Beam Angle	15° / 20° / 30° / 45° / 60° / 90° / 130° (120° x 50°) / (120° x 60°) / (135° x 50°)	Beam Angle	10° / 20° / 30° / 45° / 60° / 90° / 130° / 135° / (120°x50°) / (120°x60°) / (135°x50°)
True White	CRI 70 5700 lm	True White	CRI 80 4950 lm
Natural White	CRI 80 5250 lm	Natural White	CRI 80 4500 lm
Warm White	CRI 80 4350 lm	Warm White	CRI 80 3750 lm
Warm White CK: 2200K	CRI 80 4050 lm		

Chipsets	CREE LEDs XP-G	LIGHT BY LUXEON Rebel ES	CREE LEDs XP-E	LIGHT BY LUXEON Rebel
Power Consumption	72 Watts		72 Watts	
Working Voltage	100 - 240V AC, 24V DC		100 - 240V AC, 24V DC	
Beam Angle	15° / 24° / 30° / 50° / 60° / 90° / 130° / 135° / (120°x50°) / (120°x60°) / (135°x50°)		10° / 20° / 30° / 45° / 60° / 90° / 130° / 135° / (120°x50°) / (120°x60°) / (135°x50°)	
True White	CRI 80 5250 lm		CRI 80 4050 lm	
Natural White	CRI 80 4800 lm		CRI 80 3450 lm	
Warm White	CRI 80 4050 lm		CRI 80 3000 lm	

Chipsets	BRIDGELUX	Chipsets	EPISTAR
Power Consumption	72 Watts	Power Consumption	75 Watts
Working Voltage	100 - 240V AC, 24V DC	Working Voltage	100 - 240V AC, 24V DC
Beam Angle	130°	Beam Angle	130°
True White	CRI 65 4050 lm	True White	CRI 70 3450 lm
Natural White	CRI 80 3450 lm	Natural White	CRI 70 3000 lm
Warm White	CRI 82 3000 lm	Warm White	CRI 70 2400 lm

Street Light - S02T100

IP68 DESIGNLIGHTS CONSORTIUM pole mounting application CEFC F LVD Testing Complete RoHS Compliant Laser Testing Intertek 3186663



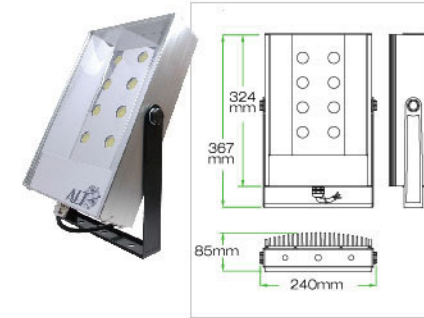
100 - 240V AC
(Power Factor: ≥ 0.9)
Operating Temp: -40°C to +50°C
-65°C to +50°C

24V DC
(for Solar Power System)
Operating Temp: -40°C to +50°C

Weight **210 oz. (6.5 kg)**
Lifespan **50,000 hours**
Warranty **3 Years Limited**
Applicable Pole Dimension **42-62mm**

Floodlight - F02T100

IP68 PS E CEFC D LVD Testing Complete RoHS Compliant Laser Testing Intertek 3186663



Standard

100 - 240V AC
(Power Factor: ≥ 0.9)
Operating Temp: -40°C to +50°C
-65°C to +50°C

24V DC
(for Solar Power System)
Operating Temp: -40°C to +50°C

Weight **210 oz. (6.5 kg)**
Lifespan **50,000 hours**
Warranty **3 Years Limited**

Industrial Plus

100 - 240V AC
(Power Factor: ≥ 0.9)
Operating Temp: -40°C to +50°C
-65°C to +50°C

24V DC
(for Solar Power System)
Operating Temp: -40°C to +50°C

Steel Chain **150cm**
Weight **265 oz. (7.5 kg)**
Lifespan **50,000 hours**
Warranty **5 Years Limited**

LAMP LUMINOUS FLUX

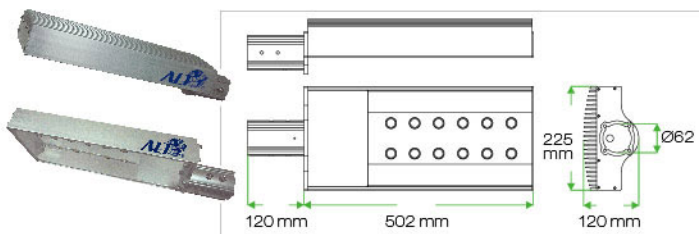
All Lamp Luminous Flux Data are Indicated in Max Values

Chipsets	CREE LEDs XT-E	Chipsets	CREE LEDs XB-D
Power Consumption	92 Watts	Power Consumption	92 Watts
Working Voltage	100 - 240V AC, 24V DC	Working Voltage	100 - 240V AC, 24V DC
Beam Angle	15° / 20° / 30° / 45° / 60° / 90° / 130° (120° x 50°) / (120° x 60°) / (135° x 50°)	Beam Angle	10° / 20° / 30° / 45° / 60° / 90° / 130° / 135° / (120°x50°) / (120°x60°) / (135°x50°)
True White	CRI 70 7600 lm	True White	CRI 80 6600 lm
Natural White	CRI 80 7000 lm	Natural White	CRI 80 6000 lm
Warm White	CRI 80 5800 lm	Warm White	CRI 80 5000 lm
Warm White CK: 2200K	CRI 80 5400 lm		

Chipsets	CREE LEDs XP-G	LIGHT BY LUXEON Rebel ES	CREE LEDs XP-E	LIGHT BY LUXEON Rebel
Power Consumption	92 Watts		92 Watts	
Working Voltage	100 - 240V AC, 24V DC		100 - 240V AC, 24V DC	
Beam Angle	15° / 24° / 30° / 50° / 60° / 90° / 130° / 135° / (120°x50°) / (120°x60°) / (135°x50°)		10° / 20° / 30° / 45° / 60° / 90° / 130° / 135° / (120°x50°) / (120°x60°) / (135°x50°)	
True White	CRI 80 7000 lm		CRI 80 5400 lm	
Natural White	CRI 80 6400 lm		CRI 80 4600 lm	
Warm White	CRI 80 5400 lm		CRI 80 4000 lm	

Chipsets	BRIDGELUX	Chipsets	EPISTAR
Power Consumption	92 Watts	Power Consumption	100 Watts
Working Voltage	100 - 240V AC, 24V DC	Working Voltage	100 - 240V AC, 24V DC
Beam Angle	130°	Beam Angle	130°
True White	CRI 65 5400 lm	True White	CRI 70 4600 lm
Natural White	CRI 80 4600 lm	Natural White	CRI 70 4000 lm
Warm White	CRI 82 4000 lm	Warm White	CRI 70 3200 lm

Street Light - S02T150

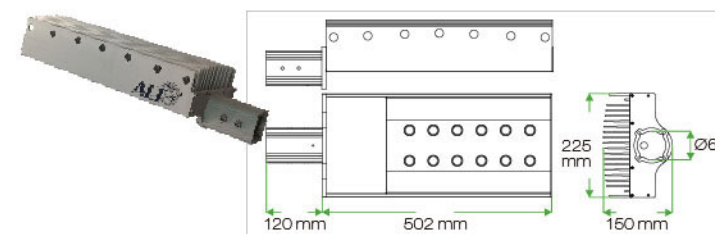


100 - 240V AC
(Power Factor: ≥ 0.9)
Operating Temp: -40°C to +50°C
-65°C to +50°C

24V DC
(for Solar Power System)
Operating Temp: -40°C to +50°C

Weight **307 oz. (8.7 kg)**
Lifespan **50,000 hours**
Warranty **3 Years Limited**
Applicable Pole Dimension **42-62mm**

Street Light - S04T200

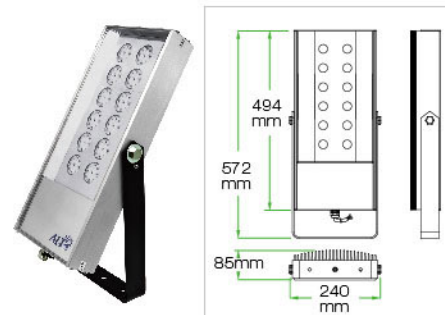


100 - 240V AC
(Power Factor: ≥ 0.9)
Operating Temp: -40°C to +50°C

24V DC
(for Solar Power System)
Operating Temp: -40°C to +50°C

Weight **399 oz. (11.3 kg)**
Lifespan **50,000 hours**
Warranty **3 Years Limited**
Applicable Pole Dimension **42-62mm**

Floodlight - F02T150

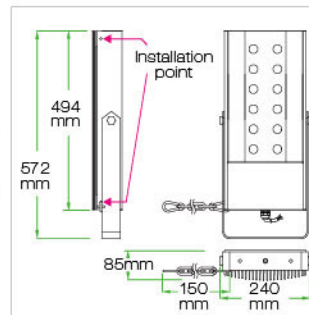


Standard

100 - 240V AC
(Power Factor: ≥ 0.9)
Operating Temp: -40°C to +50°C
-65°C to +50°C

24V DC
(for Solar Power System)
Operating Temp: -40°C to +50°C

Weight **307 oz. (8.7 kg)**
Lifespan **50,000 hours**
Warranty **3 Years Limited**



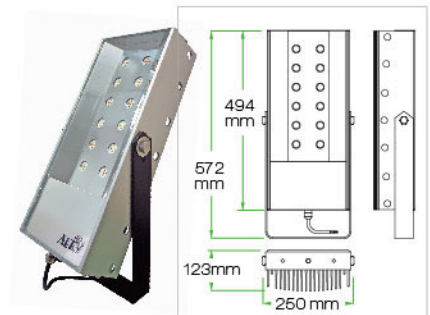
Industrial Plus

100 - 240V AC
(Power Factor: ≥ 0.9)
Operating Temp: -40°C to +50°C
-65°C to +50°C

24V DC
(for Solar Power System)
Operating Temp: -40°C to +50°C

Steel Chain **150cm**
Weight **325 oz. (9.2 kg)**
Lifespan **50,000 hours**
Warranty **5 Years Limited**

Floodlight - F04T200

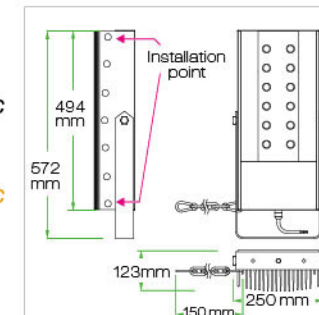


Standard

100 - 240V AC
(Power Factor: ≥ 0.9)
Operating Temp: -40°C to +50°C

24V DC
(for Solar Power System)
Operating Temp: -40°C to +50°C

Weight **399 oz. (11.3 kg)**
Lifespan **50,000 hours**
Warranty **3 Years Limited**



Industrial Plus

100 - 240V AC
(Power Factor: ≥ 0.9)
Operating Temp: -40°C to +50°C

24V DC
(for Solar Power System)
Operating Temp: -40°C to +50°C

Steel Chain **150cm**
Weight **416 oz. (11.8 kg)**
Lifespan **50,000 hours**
Warranty **5 Years Limited**

LAMP LUMINOUS FLUX

All Lamp Luminous Flux Data are Indicated in Max Values

Chipsets	CREE LEDs XT-E	Chipsets	CREE LEDs XB-D
Power Consumption	145 Watts	Power Consumption	145 Watts
Working Voltage	100 - 240V AC, 24V DC	Working Voltage	100 - 240V AC, 24V DC
Beam Angle	15° / 20° / 30° / 45° / 60° / 90° / 130° (120° x 50°) / (120° x 60°) / (135° x 50°)	Beam Angle	10° / 20° / 30° / 45° / 60° / 90° / 130° / 135° / (120°x50°) / (120°x60°) / (135°x50°)
True White	CRI 70 11400 lm	True White	CRI 80 9900 lm
Natural White	CRI 80 10500 lm	Natural White	CRI 80 9000 lm
Warm White	CRI 80 8700 lm	Warm White	CRI 80 7500 lm
Warm White CK: 2200K	CRI 80 8100 lm		

LAMP LUMINOUS FLUX

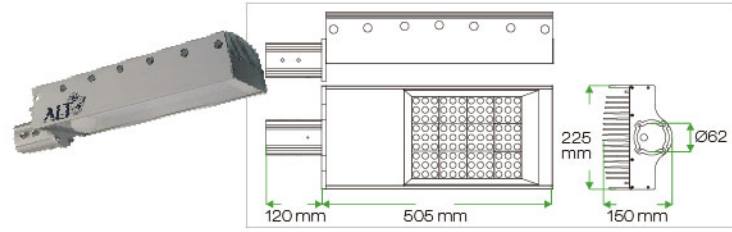
All Lamp Luminous Flux Data are Indicated in Max Values

Chipsets	CREE LEDs XT-E
Power Consumption	192 Watts
Working Voltage	100 - 240V AC, 24V DC
Beam Angle	15° / 20° / 30° / 45° / 60° / 90° / 130° (120° x 50°) / (120° x 60°) / (135° x 50°)
True White	CRI 70 14500 lm
Natural White	CRI 80 13200 lm
Warm White	CRI 80 11000 lm
Warm White CK: 2200K	CRI 80 10200 lm

Chipsets	CREE LEDs XP-G	LIGHT BY LUXEON Rebel ES	CREE LEDs XP-E	LIGHT BY LUXEON Rebel
Power Consumption	145 Watts		145 Watts	
Working Voltage	100 - 240V AC, 24V DC		100 - 240V AC, 24V DC	
Beam Angle	15° / 24° / 30° / 50° / 60° / 90° / 130° / 135° / (120°x50°) / (120°x60°) / (135°x50°)		10° / 20° / 30° / 45° / 60° / 90° / 130° / 135° / (120°x50°) / (120°x60°) / (135°x50°)	
True White	CRI 80	10500 lm	CRI 80	8100 lm
Natural White	CRI 80	9600 lm	CRI 80	6900 lm
Warm White	CRI 80	8100 lm	CRI 80	6000 lm

Chipsets	BRIDGELUX	Chipsets	EPISTAR
Power Consumption	145 Watts	Power Consumption	150Watts
Working Voltage	100 - 240V AC, 24V DC	Working Voltage	100 - 240V AC, 24V DC
Beam Angle	130°	Beam Angle	130°
True White	CRI 65 8100 lm	True White	CRI 70 6900 lm
Natural White	CRI 80 6900 lm	Natural White	CRI 70 6000 lm
Warm White	CRI 82 6000 lm	Warm White	CRI 70 4800 lm

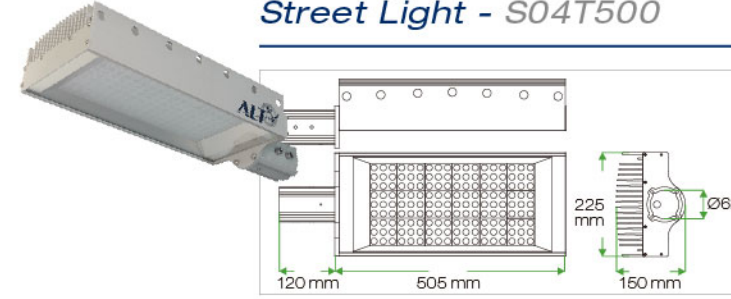
Street Light - S04T300



100 - 240V AC
(Power Factor: ≥ 0.9)
Operating Temp: -40°C to +50°C

Weight 399 oz. (11.3 kg)
Lifespan 50,000 hours
Warranty 3 Years Limited
Applicable Pole Dimension 42-62mm

Street Light - S04T500



100 - 240V AC
(Power Factor: ≥ 0.9)
Operating Temp: -40°C to +50°C

Weight 399 oz. (11.3 kg)
Lifespan 50,000 hours
Warranty 3 Years Limited
Applicable Pole Dimension 42-62mm

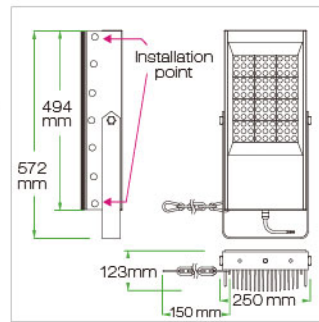
Floodlight - F04T300



Standard

100 - 240V AC
(Power Factor: ≥ 0.9)
Operating Temp: -40°C to +50°C

Weight 399 oz. (11.3 kg)
Lifespan 50,000 hours
Warranty 3 Years Limited

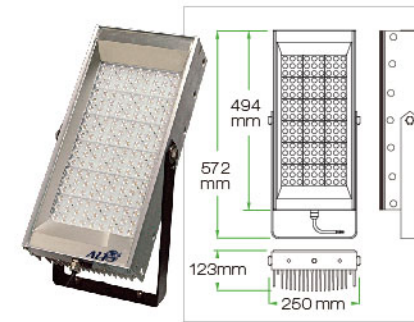


Industrial Plus

100 - 240V AC
(Power Factor: ≥ 0.9)
Operating Temp: -40°C to +50°C

Steel Chain 150cm
Weight 416 oz. (11.8 kg)
Lifespan 50,000 hours
Warranty 5 Years Limited

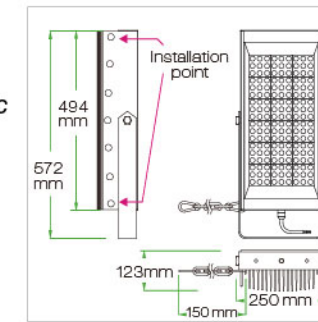
Floodlight - F04T500



Standard

100 - 240V AC
(Power Factor: ≥ 0.9)
Operating Temp: -40°C to +50°C

Weight 399 oz. (11.3 kg)
Lifespan 50,000 hours
Warranty 3 Years Limited



Industrial Plus

100 - 240V AC
(Power Factor: ≥ 0.9)
Operating Temp: -40°C to +50°C

Steel Chain 150cm
Weight 416 oz. (11.8 kg)
Lifespan 50,000 hours
Warranty 5 Years Limited

LAMP LUMINOUS FLUX

All Lamp Luminous Flux Data are Indicated in Max Values

Chipsets	CREE® LEDs XT-E	
Power Consumption	285 Watts	
Beam Angle	20° / 30° / 45° / 60° / 90° / 130°	
True White	CRI 70	24000 lm
Natural White	CRI 80	21000 lm
Warm White	CRI 80	18000 lm
Warm White CK: 2200K	CRI 80	16500 lm

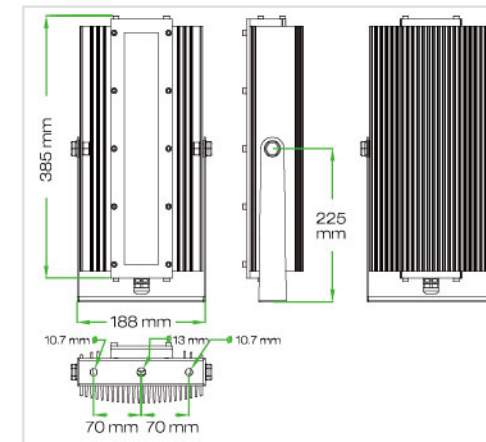
LAMP LUMINOUS FLUX

All Lamp Luminous Flux Data are Indicated in Max Values

Chipsets	CREE® LEDs XT-E	
Power Consumption	480 Watts	
Beam Angle	20° / 30° / 45° / 60° / 90° / 130°	
True White	CRI 70	39500 lm
Natural White	CRI 80	36000 lm
Warm White	CRI 80	30000 lm



Anti-Explosive Lamp



Working Voltage	100 - 240V AC
Power Factor	> 0.9
Weight	254 oz. (7.2 kg)
Operating Temp	-40°C to +50°C
Lifespan	50,000 hours
Warranty	3 Years Limited
Ex Mark	Ex d IIB T5 Ex d IIC T5 <small>*Certificate under progress</small>

FEATURES

The anti-explosive E01 series can be safely used in hazardous locations such as power plants, oil and natural gas drilling stations and refineries, mining facilities, etc. Integrated with the CREE XML chipset, the anti-explosive E01 series can provide an estimated 75% energy savings while maintaining the same level of brightness as your standard HID and MH lights.

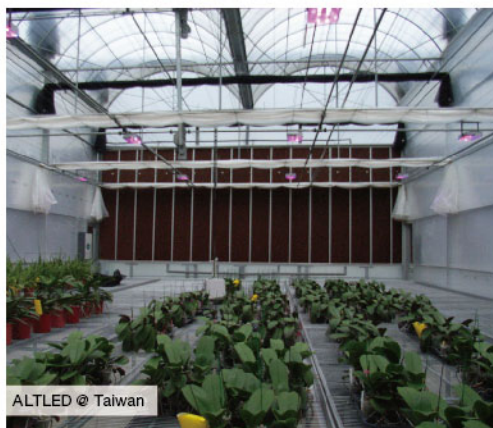
APPLICATIONS

- Power plants
- Refineries
- Offshore drilling platforms
- Petroleum & gas stations
- Emergency management
- Environmental services
- Chemical plants
- Aviation/aerospace
- Paint coating work stations
- Marine/ship yards
- Mining
- Film/entertainment

LAMP LUMINOUS FLUX

All Lamp Luminous Flux Data are indicated in max values

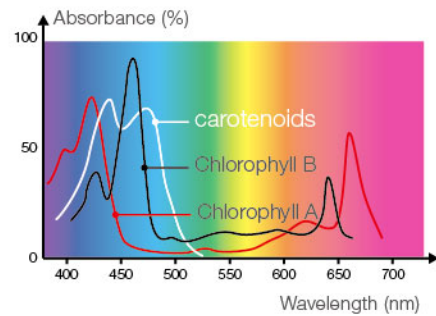
Chipsets	XM-L	
Type	E01T100	
Power Consumption	92 Watts	
Beam Angle	20° / 60° / 90° / 130°	
True White	CRI 65	7200 lm
Natural White	CRI 75	6500 lm
Warm White	CRI 80	5500 lm



FEATURES

- Integration of a patented aerospace structural design ensures optimal cooling.
- High stability lighting in any climate thanks to current fluctuation protection.
- Original high-power LED chips, with multiple power supply circuit design options, offer incredible added value.
- PFC values up to 0.9 offering a stable voltage output, thus reducing energy consumption.
- IP68 waterproof standard.
- Red and blue wavelengths are ideal for growing and flowering of plants.

Chlorophyll Chart:



For plant growth, the first stage of photosynthesis is absorbing light by chlorophyll. Chlorophyll A&B and carotene are three major elements to affect plant growth. The two ideal wavelengths for photosynthesis are Blue ray 400-500 nm and Red ray 600-700 nm. Scientifically proved Blue ray and Red ray are the most efficient for plant growth.

Wavelength	Color	Effects on plant illumination
400-520 nm	Blue	Maximize the Chlorophyll and carotenoids absorbability, highest effect on photosynthesis
610-720nm	Red	Low absorbability of Chlorophyll, notable affect to Chlorophyll and light cycle effect

G19 Globe



Power Consumption: 6 Watts
 Chipset Luminous Flux: 180 lm
 Base: GX5.3 / GU5.3, B22D, GU10 / GZ10, EZ10, E11, E12, E14, E17, E26 / 24 (US), E26 / 27 (EU), BA15S, BA15D
 Working Voltage: 100 - 240V AC, 12V AC/DC
 Operating Temp: -20°C to +40°C
 Beam Angle: 180°



A19 Bulb



Power Consumption: 6 Watts
 Chipset Luminous Flux: 180 lm
 Base: B22D, GU10 / GZ10, EZ10, E11, E12, E14, E17, E26 / 24 (US), E26 / 27 (EU), BA15S, BA15D
 Working Voltage: 100 - 240V AC
 Operating Temp: -20°C to +40°C
 Beam Angle: 180°



Floodlight



Working Voltage: 100 - 240V AC
 Operating Temp: -40°C to +50°C
 Beam Angle: 10°, 20°, 24°, 30°, 45°, 60°, 90°, 130°, 135°, (120°x50°), (120°x60°), (135°x50°)

Model	Chipsets	Power Consumption	Chipset Luminous Flux
Grow Light - F02T50	EPistar, CREE XP-E, LUXEON Rebel	35 Watts, 38 Watts, 38 Watts	480 lm, 880 lm, 880 lm
Grow Light - F02T100	EPistar, CREE XP-E, LUXEON Rebel	60 Watts, 76 Watts, 76 Watts	970 lm, 1760 lm, 1760 lm
Grow Light - F02T150	EPistar, CREE XP-E, LUXEON Rebel	100 Watts, 115 Watts, 115 Watts	1450 lm, 2640 lm, 2640 lm

INDEX - BEAM ANGLE

Indoor Series

Series	10°	15°	20°	24°	25°	30°	38°	40°	45°	50°	60°	72°	80°	90°	100°	110°	120°	130°	135°	180°	270°	360°	120°x50°	120°x60°	135°x50°	
Asteria series																										
MR11			✓		✓	✓	✓		✓	✓																
MR16				✓				✓		✓	✓							✓								
-V7																										
-V6																										
-V5	✓		✓		✓	✓		✓		✓	✓				✓		✓									
-V4	✓	✓			✓	✓		✓		✓	✓				✓		✓									
-V3			✓		✓	✓		✓		✓	✓				✓		✓									
-V2.5																										
-V2																										
-V1						✓			✓	✓							✓									
G19 Globe																										
-V7																										
-V6																										
-V5																										
-V4																										
-V3																										
-V2																										
-V1																										
PAR30 (IP68)																										
PAR30		✓	✓		✓	✓	✓	✓	✓	✓	✓						✓									
PAR30 (IP68)		✓	✓		✓	✓	✓	✓	✓	✓	✓						✓									
PAR38 (IP68)			✓																							
PAR38																										
BR30		✓			✓		✓	✓	✓	✓	✓						✓									
BR40		✓			✓		✓	✓	✓	✓	✓						✓									
Metis series																										
Chandelier Light																										
A19 Bulb																										
-V7																										
-V6																										
-V5																										
-V4																										
-V3																										
-V2																										
-V1																										
A55 Bulb																										
Orion series																										
LED T8 Tube																										
Recessed Light	✓	✓	✓	✓		✓			✓	✓	✓															
Ceiling Light	✓	✓	✓	✓		✓			✓	✓	✓															
AR111			✓	✓		✓			✓	✓	✓															
PAR36	✓	✓	✓	✓		✓			✓	✓	✓															
4" Down Light			✓			✓			✓	✓	✓															
Dimmable Series																										
Orion series																										
AR111 Dimmable			✓	✓		✓			✓	✓	✓															
Asteria series																										
MR11 Dimmable			✓		✓	✓	✓		✓	✓																
MR16 Dimmable	✓	✓	✓		✓	✓	✓	✓	✓	✓	✓						✓									
G19 Globe Dimmable																										
BR Dimmable																										
PAR30 (IP68) Dimmable	✓	✓	✓		✓	✓	✓	✓	✓	✓	✓															
PAR30 Dimmable	✓	✓	✓		✓	✓	✓	✓	✓	✓	✓															
PAR38 (IP68) Dimmable			✓																							
PAR38 Dimmable																										
Metis series																										
Spotlight Dimmable		✓				✓																				
A19 Bulb Dimmable																										
Chandelier Light Dimmable																										
A55 Bulb Dimmable																										
Outdoor Series																										
Lodestar series																										
Street Light - S01																										
Street Light - S02	✓	✓	✓	✓		✓			✓	✓	✓															
Street Light - S04	✓	✓	✓	✓		✓			✓	✓	✓															
Floodlight - F01																										
Floodlight - F02	✓	✓	✓	✓		✓			✓	✓	✓															
Floodlight - F04	✓	✓	✓			✓			✓	✓	✓															
Grow Light	✓	✓	✓			✓			✓	✓	✓															
Theseus series																										
Anti Explosion lamp			✓																							