



Pursuit of perfection environmental purity.



Aeon Lighting Technology Inc.



High Power LED Lighting Solutions

www.aeonlighting.com
2014 Ver 01 (LAMP LUMINOUS FLUX)



Aeon Lighting Technology Inc.

16F-8, No.2, Jianba Rd., Zhonghe Dist.,
New Taipei City 235, Taiwan

TEL : +886-2-8226-1289
E-mail : info@aeonlighting.com

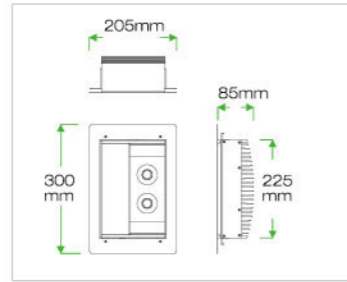


Two Million US Dollars Product Liability Insurance
Copyright © 2013 Aeon Lighting Technology Inc.
ver 01 (LAMP LUMINOUS FLUX) Apr.





R02t25



Working Voltage **100 - 240V AC** Lighting Direction **Single Lighting Direction**
 Power Factor **≥ 0.9**
 Weight **70.6 oz. (2 kg)**
 Operating Temp **-40°C to +50°C**
 Lifespan **50,000 hours**
 Warranty **3 Years Limited**

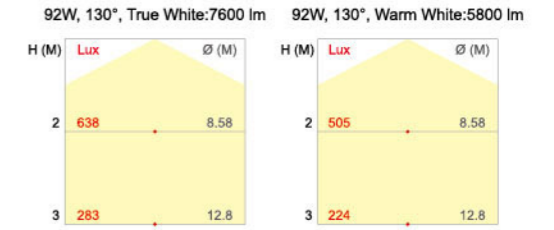
Flameproof , Fire resistant Board
 Material : Optional
 Dimension : 600x600 (mm)
 Thickness : 8 (mm)



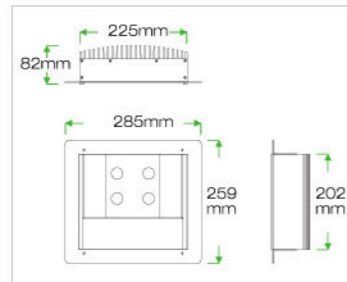
LAMP LUMINOUS FLUX

All Lamp Luminous Flux Data are Indicated in Max Values

Chipsets	CREE XT-E			
	R02T25	R02T50	R02T75	R02T100
Type	R02T25	R02T50	R02T75	R02T100
Power Consumption	25 Watts	46 Watts	72 Watts	92 Watts
Beam Angle	15° / 20° / 30° / 45° / 60° / 130°			
True White CRI 70	1900 lm	3800 lm	5700 lm	7600 lm
Natural White CRI 80	1750 lm	3500 lm	5250 lm	7000 lm
Warm White CRI 80	1450 lm	2900 lm	4350 lm	5800 lm
Warm White CK: 2200K CRI 80	1350 lm	2700 lm	4050 lm	5400 lm



R02t50

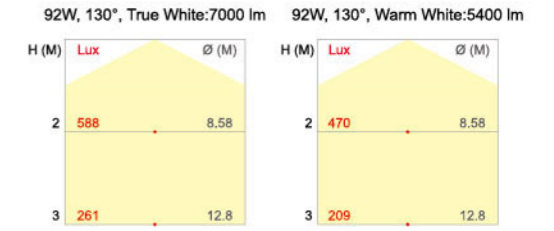


Working Voltage **100 - 240V AC** Lighting Direction **Single Lighting Direction**
 Power Factor **≥ 0.9**
 Weight **141 oz. (4 kg)**
 Operating Temp **-40°C to +50°C**
 Lifespan **50,000 hours**
 Warranty **3 Years Limited**

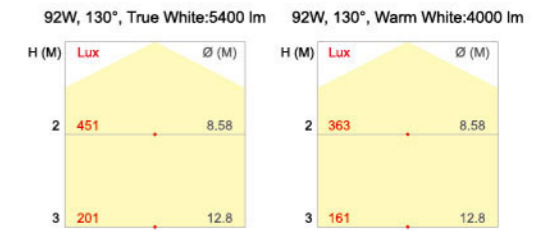
Flameproof , Fire resistant Board
 Material : Optional
 Dimension : 600x600 (mm)
 Thickness : 8 (mm)



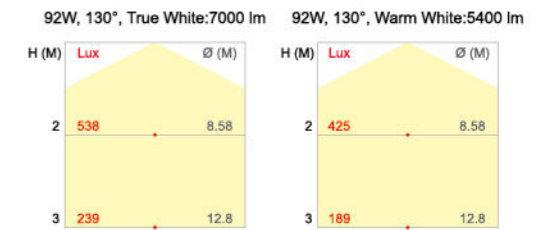
Chipsets	CREE XP-G			
	R02T25	R02T50	R02T75	R02T100
Type	R02T25	R02T50	R02T75	R02T100
Power Consumption	25 Watts	46 Watts	72 Watts	92 Watts
Beam Angle	15° / 24° / 30° / 50° / 60° / 90° / 130°			
True White CRI 80	1750 lm	3500 lm	5250 lm	7000 lm
Natural White CRI 80	1600 lm	3200 lm	4800 lm	6400 lm
Warm White CRI 80	1350 lm	2700 lm	4050 lm	5400 lm



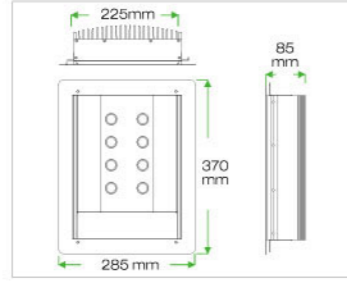
Chipsets	CREE XP-E			
	R02T25	R02T50	R02T75	R02T100
Type	R02T25	R02T50	R02T75	R02T100
Power Consumption	25 Watts	46 Watts	72 Watts	92 Watts
Beam Angle	10° / 20° / 30° / 45° / 60° / 90° / 130°			
True White CRI 80	1350 lm	2700 lm	4050 lm	5400 lm
Natural White CRI 80	1150 lm	2300 lm	3450 lm	4600 lm
Warm White CRI 80	1000 lm	2000 lm	3000 lm	4000 lm



Chipsets	LUXEON Rebel ES			
	R02T25	R02T50	R02T75	R02T100
Type	R02T25	R02T50	R02T75	R02T100
Power Consumption	25 Watts	46 Watts	72 Watts	92 Watts
Beam Angle	15° / 24° / 30° / 50° / 60° / 90° / 130°			
True White CRI 80	1750 lm	3500 lm	5250 lm	7000 lm
Natural White CRI 80	1600 lm	3200 lm	4800 lm	6400 lm
Warm White CRI 80	1350 lm	2700 lm	4050 lm	5400 lm



R02t75

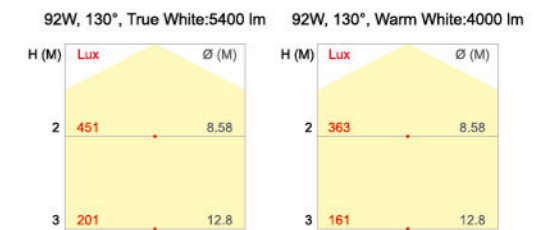


Working Voltage **100 - 240V AC** Lighting Direction **Single Lighting Direction**
 Power Factor **≥ 0.9**
 Weight **141 oz. (4 kg)**
 Operating Temp **-40°C to +50°C**
 Lifespan **50,000 hours**
 Warranty **3 Years Limited**

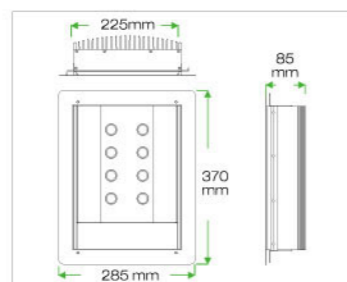
Flameproof , Fire resistant Board
 Material : Optional
 Dimension : 600x600 (mm)
 Thickness : 8 (mm)



Chipsets	LUXEON Rebel			
	R02T25	R02T50	R02T75	R02V100
Type	R02T25	R02T50	R02T75	R02V100
Power Consumption	25 Watts	46 Watts	72 Watts	92 Watts
Beam Angle	10° / 20° / 30° / 45° / 60° / 90° / 130°			
True White CRI 80	1350 lm	2700 lm	4050 lm	5400 lm
Natural White CRI 80	1150 lm	2300 lm	3450 lm	4600 lm
Warm White CRI 80	1000 lm	2000 lm	3000 lm	4000 lm



R02t100

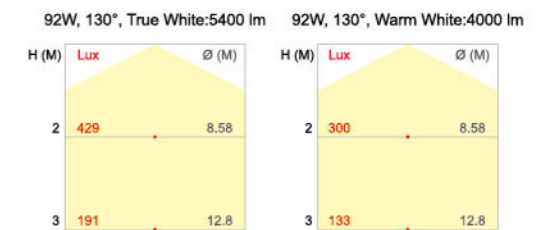


Working Voltage **100 - 240V AC** Lighting Direction **Single Lighting Direction**
 Power Factor **≥ 0.9**
 Weight **141 oz. (4 kg)**
 Operating Temp **-40°C to +50°C**
 Lifespan **50,000 hours**
 Warranty **3 Years Limited**

Flameproof , Fire resistant Board
 Material : Optional
 Dimension : 600x600 (mm)
 Thickness : 8 (mm)

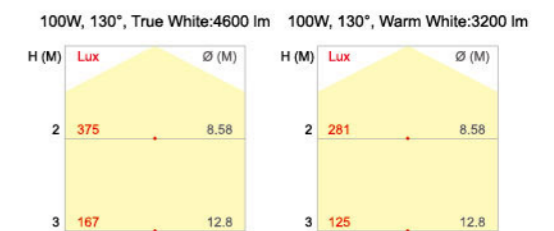


Chipsets	BRIDGELUX			
	R02T25	R02T50	R02T75	R02T100
Type	R02T25	R02T50	R02T75	R02T100
Power Consumption	30 Watts	46 Watts	72 Watts	92 Watts
Beam Angle	130°			
True White CRI 65	1900 lm	2700 lm	4050 lm	5400 lm
Natural White CRI 80	1650 lm	2300 lm	3450 lm	4600 lm
Warm White CRI 82	1500 lm	2000 lm	3000 lm	4000 lm



Chipsets	CREE XB-D					
	R02t25	R02t50		R02t75	R02t100	
Type	R02t25	R02t50	DLC 46 Watts	R02t75	R02t100	DLC 92 Watts
Power Consumption	25 Watts	46 Watts	46 Watts	72 Watts	92 Watts	92 Watts
Beam Angle	10° / 20° / 30° / 45° / 60° / 90° / 130°					
True White CRI 80	1650 lm	3300 lm	3500 lm	4950 lm	6600 lm	7000 lm
Natural White CRI 80	1500 lm	3000 lm		4500 lm	6000 lm	
Warm White CRI 80	1250 lm	2500 lm		3750 lm	5000 lm	

Chipsets	EPISTAR			
	R02V25	R02T50	R02T75	R02T100
Type	R02V25	R02T50	R02T75	R02T100
Power Consumption	25 Watts	50 Watts	75 Watts	100 Watts
Beam Angle	130°			
True White CRI 70	1150 lm	2300 lm	3450 lm	4600 lm
Natural White CRI 70	1000 lm	2000 lm	3000 lm	4000 lm
Warm White CRI 70	800 lm	1600 lm	2400 lm	3200 lm



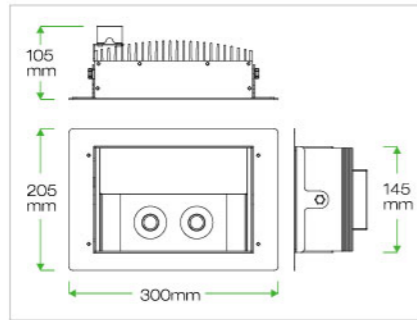


APPLICATIONS

- Office Lighting.
- Boutique Lighting.
- Showcase Lighting.
- Shop Lighting



Ceiling Light
R20T25a

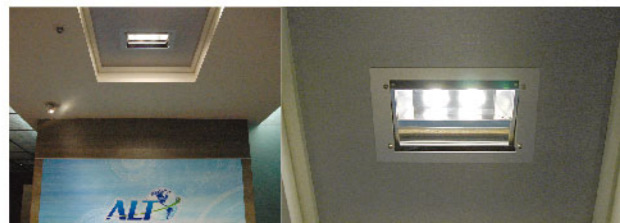


Lighting Direction **Adjustable Lighting Direction**
 Working Voltage **100 - 240V AC**
 Power Factor **≥ 0.9**
 Weight **70.6 oz. (2 kg)**
 Operating Temp **-40°C to +50°C**
 Lifespan **50,000 hours**
 Warranty **3 Years Limited**

 Flameproof , Fire resistant Board
 Material : Optional
 Dimension : 600x600 (mm)
 Thickness : 8 (mm)

FEATURES

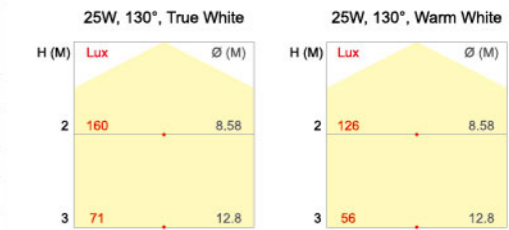
Like any other ALT product, ALT's Orion Ceiling Light is also a truly 100% green product with it's high performance in energy saving. Orion Ceiling Lights is the best replacement for traditional halogen lamps, such as AR111, offering more than 60% energy saving and a visually pleasing functional source of light. Different from the traditional lighting system, Orion Ceiling Light Series helps to promote products in the department store, art gallery, jewellery stores, and other elegant boutiques which makes them look astonishingly better. The cold light source will protect your products from the heat damage, and also enhance their appearance. Orion Ceiling Light will give designers the ability to control specific levels of lighting to attain the desired ambiance.



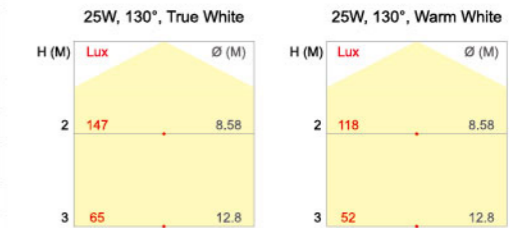
LAMP LUMINOUS FLUX

All Lamp Luminous Flux Data are Indicated in Max Values

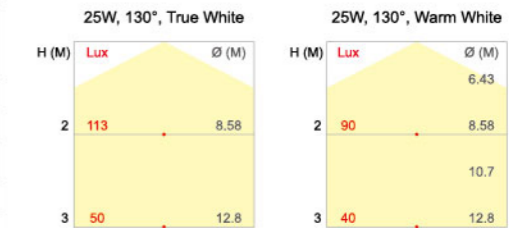
Chipsets	CREE XT-E	
Type	R20T25a	
Power Consumption	25 Watts	
Beam Angle	15° / 20° / 30° / 45° / 60° / 90° / 130°	
True White	CRI 70	1900 lm
Natural White	CRI 80	1750 lm
Warm White	CRI 80	1450 lm
Warm White	CRI 80	1350 lm
		CK: 2200K



Chipsets	CREE XP-G	
Type	R20T25a	
Power Consumption	25 Watts	
Beam Angle	15° / 24° / 30° / 50° / 60° / 90° / 130° / 135°	
True White	CRI 80	1750 lm
Natural White	CRI 80	1600 lm
Warm White	CRI 80	1350 lm



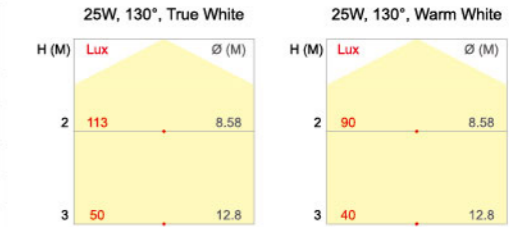
Chipsets	CREE XP-E	CREE XB-D
Type	R20T25a	
Power Consumption	25 Watts	
Beam Angle	10° / 20° / 30° / 45° / 60° / 90° / 130° / 135°	
True White	CRI 80	1350 lm
Natural White	CRI 80	1150 lm
Warm White	CRI 80	1000 lm
		1650 lm
		1500 lm
		1250 lm



Chipsets	LIGHT BY LUXEON Rebel ES	
Type	R20T25a	
Power Consumption	25 Watts	
Beam Angle	15° / 24° / 30° / 50° / 60° / 90° / 130° / 135°	
True White	CRI 80	1750 lm
Natural White	CRI 80	1600 lm
Warm White	CRI 80	1350 lm



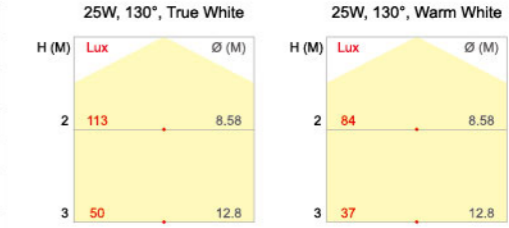
Chipsets	LIGHT BY LUXEON Rebel	
Type	R20T25a	
Power Consumption	25 Watts	
Beam Angle	10° / 20° / 30° / 45° / 60° / 90° / 130° / 135°	
True White	CRI 80	1350 lm
Natural White	CRI 80	1150 lm
Warm White	CRI 80	1000 lm



Chipsets	BRIDGELUX	
Type	R20T25a	
Power Consumption	30 Watts	
Beam Angle	130°	
True White	CRI 65	1900 lm
Natural White	CRI 80	1650 lm
Warm White	CRI 82	1500 lm



Chipsets	EPISTAR	
Type	R20T25a	
Power Consumption	25 Watts	
Beam Angle	130°	
True White	CRI 70	1150 lm
Natural White	CRI 70	1000 lm
Warm White	CRI 70	800 lm





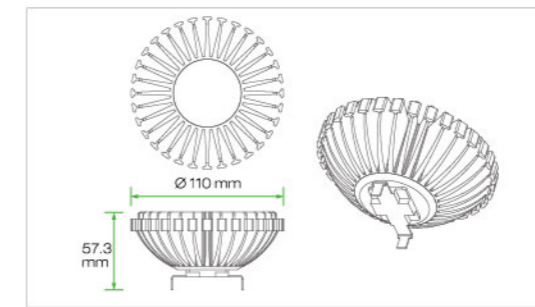
APPLICATIONS

- Office Lighting.
- Boutique Lighting.
- Showcase Lighting.
- Shop Lighting

FEATURES

ALT AR111 LED uses aerospace industry level computer cooling technology, in addition to having the longest span life of 50,000 hours, and chips from industry leaders Cree and LUXEON. Replacing a 100W traditional halogen bulb to a 12W ALT AR111 LED gives, almost, a 90% energy savings. ALT Orion Series AR111 creates a more enjoyable shopping experience and keeps the finest moment for all works of art.

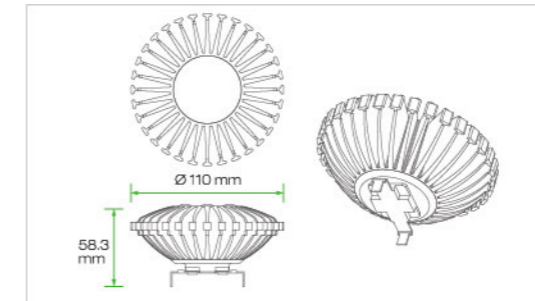
AR111



Working Voltage **12V AC/DC**
 Base **GX53**
 Weight **8.82 oz. (250g)**
 Operating Temp **-20°C to +40°C**
 Lifespan **50,000 hours**
 Warranty **3 Years Limited**
 Optional : AC Adapter



PAR36



Working Voltage **12V AC/DC**
 Base **GX53**
 Weight **8.82 oz. (250g)**
 Operating Temp **-20°C to +40°C**
 Lifespan **50,000 hours**
 Warranty **3 Years Limited**
 Optional : AC Adapter



LAMP LUMINOUS FLUX

All Lamp Luminous Flux Data are Indicated in Max Values

Chipsets	CREE LEDs XT-E	
Power Consumption	12 Watts	15 Watts
AR111 Beam Angle *50%	20° / 30° / 45° / 60°	
PAR36 Beam Angle *50%	20° / 30° / 45° / 60°	
True White CRI 70	1020 lm	1300 lm
Natural White CRI 80	900 lm	1100 lm
Warm White CRI 80	780 lm	950 lm
Warm White CRI 80	700 lm	850 lm

Chipsets	EPISTAR	
Power Consumption	12 Watts	
AR111 Beam Angle *50%	45° / 60° / 90°	
PAR36 Beam Angle *50%	45° / 60° / 90°	
True White CRI 98	580 lm	
Warm White CRI 98	460 lm	

Chipsets	CREE LEDs XP-G		CREE LEDs XP-E	
Power Consumption	12 Watts	15 Watts	12 Watts	15 Watts
AR111 Beam Angle *50%	24° / 30° / 50° / 60° / 90° / 135°		20° / 30° / 45° / 60° / 90° / 135°	
PAR36 Beam Angle *50%	15° / 24° / 30° / 50° / 60° / 90° / 135°		10° / 20° / 30° / 45° / 60° / 90° / 135°	
True White CRI 80	950 lm	1070 lm	900 lm	980 lm
Natural White CRI 80	800 lm	940 lm	700 lm	770 lm
Warm White CRI 80	700 lm	820 lm	600 lm	660 lm

Chipsets	LIGHT BY LUXEON Rebel ES		LIGHT BY LUXEON Rebel	
Power Consumption	12 Watts	15 Watts	12 Watts	15 Watts
AR111 Beam Angle *50%	24° / 30° / 50° / 60° / 90° / 135°		20° / 30° / 45° / 60° / 90° / 135°	
PAR36 Beam Angle *50%	15° / 24° / 30° / 50° / 60° / 90° / 135°		10° / 20° / 30° / 45° / 60° / 90° / 135°	
True White CRI 80	950 lm	1070 lm	900 lm	980 lm
Natural White CRI 80	800 lm	940 lm	700 lm	770 lm
Warm White	CRI 80	700 lm	600 lm	660 lm
	CRI 90	560 lm	660 lm	530 lm



APPLICATIONS

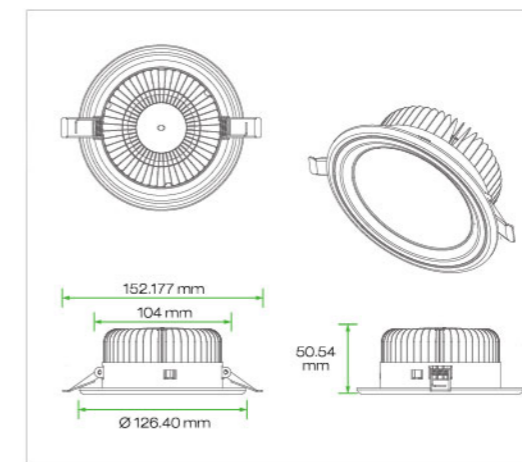
- Office Lighting.
- Boutique Lighting.
- Showcase Lighting.
- Shop Lighting

FEATURES

ALT's 4inch Downlight can be presented as a strong, smart and efficient light. ALT's 4inch Downlight series guarantees the outstanding efficiency and quality of High Power Products. All these make our 4inch Downlight products ideal for general business and decorative lighting purpose, including shop Lighting, Hotel lighting, and Commercial Applications. You can simply install it within the showcase of the boutique, and add up bonus for the display.

Also, Orion 4" Downlight series can easily and smartly help you lessen energy consumption up to 90%, it will enhance your business profitability and help the environment to flourish. 4inch Downlight series certainly be the product to create a more beautiful and efficient world.

4" Downlight



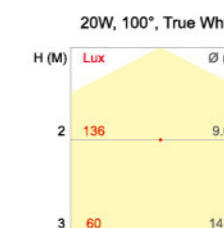
- Working Voltage **17V DC**
- Weight **14.10 oz. (400g)**
- Operating Temp **-40°C to +40°C**
- Lifespan **50,000 hours**
- Warranty **3 Years Limited**
- Optional : AC Adapter, dimmable version available



CHIPSET LUMINOUS FLUX

All Chipset Luminous Flux Data are indicated in max values

Chipsets	CREE LEDs XT-E	
Power Consumption	20 Watts	
4" Downlight Beam Angle *50%	20° / 30° / 45° / 100°	
True White	CRI 70	1550 lm
Natural White	CRI 80	1300 lm
Warm White	CRI 80	1125 lm
Warm White CK: 2200K	CRI 80	1000 lm



Chipsets	CREE LEDs XB-D	
Power Consumption	20 Watts	
4" Downlight Beam Angle *50%	20° /30° / 45° / 105°	
True White	CRI 70	1450 lm
Natural White	CRI 80	1200 lm
Warm White	CRI 80	1050 lm

