



*Pursuit of perfection environmental purity.*



Aeon Lighting Technology Inc.



# High Power LED Lighting Solutions

[www.aeonlighting.com](http://www.aeonlighting.com)  
2014 Ver 01 (LAMP LUMINOUS FLUX)



Aeon Lighting Technology Inc.

16F.-8, No.2, Jianba Rd., Zhonghe Dist.,  
New Taipei City 235, Taiwan

TEL : +886-2-8226-1289  
E-mail : [info@aeonlighting.com](mailto:info@aeonlighting.com)



Two Million US Dollars Product Liability Insurance  
Copyright © 2013 Aeon Lighting Technology Inc.  
ver 01 (LAMP LUMINOUS FLUX) Apr.



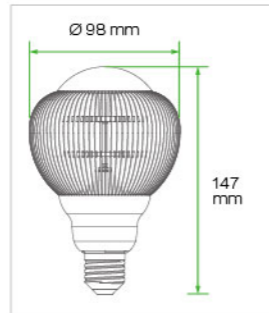
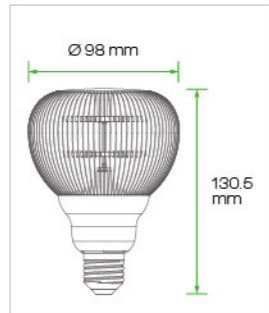
BR30

E26 / 24 (US)



Beam Angle : 15° / 20° / 25° / 40° / 100°

Beam Angle : 50° / 60°



Working Voltage **90 - 277V AC**  
(Power Factor: ≥ 0.9)  
**24V DC**  
(Power Factor: 1)

Weight **9.2 oz. ( 260 g )**

Operating Temp **-20°C to +40°C**

Lifespan **40,000 hours**

Warranty **3 Years Limited**

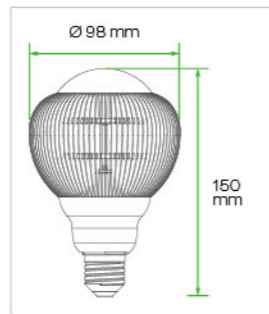
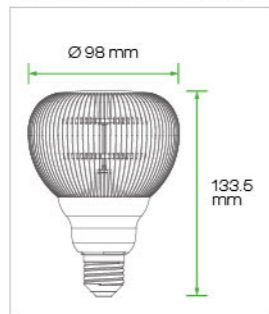
BR30

E26 / 27 (EURO)



Beam Angle : 15° / 20° / 25° / 40° / 100°

Beam Angle : 50° / 60°



Working Voltage **90 - 277V AC**  
(Power Factor: ≥ 0.9)  
**24V DC**  
(Power Factor: 1)

Weight **9.2 oz. ( 260 g )**

Operating Temp **-20°C to +40°C**

Lifespan **40,000 hours**

Warranty **3 Years Limited**

COLOR

True White    Natural White    Warm White



LAMP LUMINOUS FLUX

All Lamp Luminous Flux Data are Indicated in Max Values

Chipsets	LUXEON Rebel		
Power Consumption	10 Watts	15 Watts	15 Watts
Beam Angle *50%	100°	60°	100°
True White CRI 80	720 lm		780 lm
Natural White CRI 80	610 lm		680 lm
Warm White CRI 80	480 lm		630 lm

Chipsets	CREE LEDs XT-E	
Power Consumption	15 Watts	15 Watts
Beam Angle *50%	60°	100°
True White CRI 70	1250 lm	
Natural White CRI 80	1050 lm	
Warm White CRI 80	900 lm	
Warm White CRI 80	800 lm	

Chipsets	CREE LEDs XB-D				
Power Consumption	15 Watts				
Beam Angle *50%	20°	25°	40°	60°	100°
True White CRI 70	1150 lm				
Natural White CRI 80	950 lm				
Warm White CRI 80	825 lm				

Chipsets	CREE LEDs XP-E			CREE LEDs XP-G		
Power Consumption	10 Watts	15 Watts	15 Watts	15 Watts	15 Watts	15 Watts
Beam Angle *50%	15°	60°	100°	25°	60°	100°
True White CRI 80	680 lm	820 lm		1150 lm		
Natural White CRI 80	600 lm	750 lm		925 lm		
Warm White CRI 80	480 lm	650 lm		820 lm		

Chipsets	CREE LEDs XM-L		
Power Consumption	15 Watts	15 Watts	15 Watts
Beam Angle *50%	15°	25°	38°
True White CRI 65	1300 lm		
Natural White CRI 75	1100 lm		
Warm White CRI 80	880 lm		

Chipsets	CREE LEDs XP-E HEW	
Power Consumption	15 Watts	15 Watts
Beam Angle *50%	60°	100°
True White CRI 68	950 lm	
Natural White CRI 75	850 lm	
Warm White CRI 80	750 lm	

Chipsets	BRIDGELUX					
Power Consumption	10 Watts	10 Watts	10 Watts	15 Watts	15 Watts	15 Watts
Beam Angle *50%	50°	60°	100°	50°	60°	100°
True White CRI 65	780 lm			1050 lm		
Natural White CRI 80	650 lm			1000 lm		
Warm White CRI 82	555 lm			700 lm		

Chipsets	EPISTAR		
Power Consumption	12 Watts	12 Watts	12 Watts
Beam Angle *50%	50°	60°	100°
True White CRI 70	680 lm		
Natural White CRI 70	660 lm		
Warm White CRI 70	600 lm		

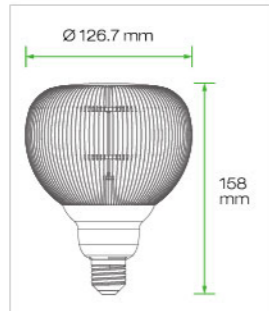
Chipsets	EPISTAR	
Power Consumption	15 Watts	
Beam Angle *50%	60°	100°
True White CRI 98	620 lm	
Warm White CRI 98	470 lm	

BR40

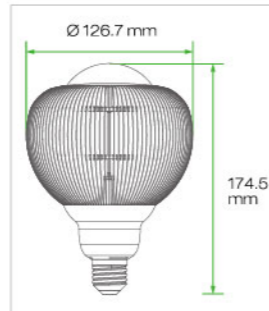
E26 / 24 (US)



Beam Angle :  
15° / 25° / 38° / 100°



Beam Angle :  
50° / 60°



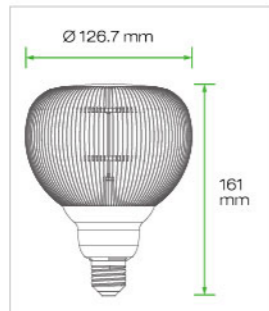
Working Voltage **90 - 277V AC**  
(Power Factor:  $\geq 0.9$ )  
**24V DC**  
(Power Factor: 1)  
Weight **15.2 oz. ( 430 g )**  
Operating Temp **-20°C to +40°C**  
Lifespan **40,000 hours**  
Warranty **3 Years Limited**

BR40

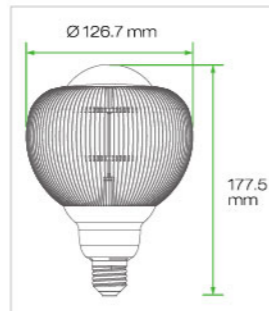
E26 / 27 (EURO)



Beam Angle :  
15° / 25° / 38° / 100°



Beam Angle :  
50° / 60°



Working Voltage **90 - 277V AC**  
(Power Factor:  $\geq 0.9$ )  
**24V DC**  
(Power Factor: 1)  
Weight **15.2 oz. ( 430 g )**  
Operating Temp **-20°C to +40°C**  
Lifespan **40,000 hours**  
Warranty **3 Years Limited**

COMPATIBLE WITH E39/E40 SOCKET



COLOR

True White    Natural White    Warm White

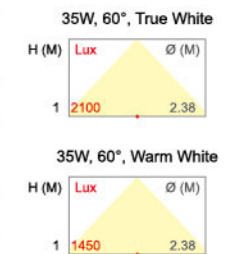


LAMP LUMINOUS FLUX

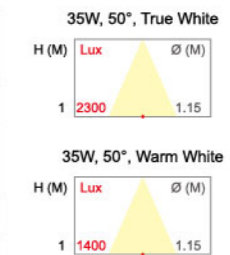
All Lamp Luminous Flux Data are Indicated in Max Values

Chipsets	CREE LEDs XT-E	
Power Consumption	20 Watts	20 Watts
Beam Angle	*50% 60°	100°
True White	CRI 70	1550 lm
Natural White	CRI 80	1400 lm
Warm White	CRI 80	1125 lm
Warm White CK: 2200K	CRI 80	1000 lm

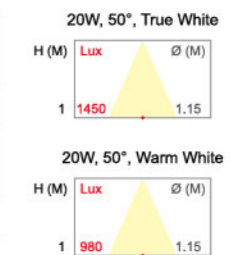
Chipsets	CREE LEDs XM-L				
Power Consumption	35 Watts	35 Watts	35 Watts	35 Watts	35 Watts
Beam Angle	*50% 15°	25°	38°	60°	100°
True White	CRI 65	3200 lm			
Natural White	CRI 75	2900 lm			
Warm White	CRI 80	2200 lm			



Chipsets	BRIDGELUX		
Power Consumption	35 Watts	35 Watts	35 Watts
Beam Angle	*50% 50°	60°	100°
True White	CRI 65	2450 lm	
Natural White	CRI 80	2350 lm	
Warm White	CRI 82	1600 lm	



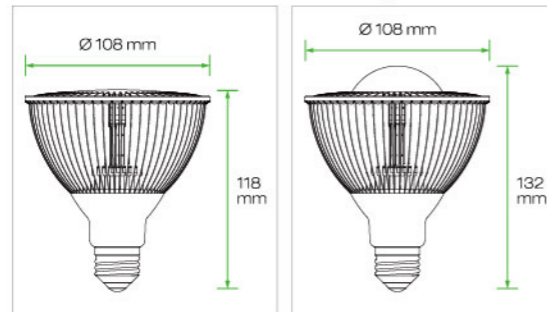
Chipsets	BRIDGELUX		
Power Consumption	20 Watts	20 Watts	20 Watts
Beam Angle	*50% 50°	60°	100°
True White	CRI 65	1450 lm	
Natural White	CRI 80	1350 lm	
Warm White	CRI 82	850 lm	





**E26 / 24 (US)**

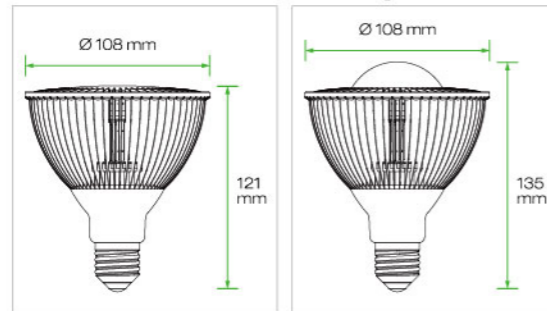
Beam Angle : 15°/20°/25°/30°/38°/40°/45°/50°/100° Beam Angle : 60°



Working Voltage **90 - 277V AC**  
(Power Factor:  $\geq 0.9$ )  
**24V DC**  
(Power Factor: 1)  
Weight **14 oz. ( 400 g )**  
Operating Temp **-65°C to +40°C**  
Lifespan **50,000 hours**  
Warranty **3 Years Limited**

**E26 / 27 (EURO)**

Beam Angle : 15°/20°/25°/30°/38°/40°/45°/50°/100° Beam Angle : 60°



Working Voltage **90 - 277V AC**  
(Power Factor:  $\geq 0.9$ )  
**24V DC**  
(Power Factor: 1)  
Weight **14 oz. ( 400 g )**  
Operating Temp **-65°C to +40°C**  
Lifespan **50,000 hours**  
Warranty **3 Years Limited**

LAMP LUMINOUS FLUX

All LAMP Luminous Flux Data are indicated in Max Values

Chipsets	CREE LEDs XT-E					CREE LEDs XP-G					CREE LEDs XP-E												
	15 Watts		20 Watts			15 Watts		20 Watts			15 Watts												
Beam Angle	*50%	20°	30°	45°	60°	100°	20°	30°	45°	60°	100°	15°	25°	38°	50°	60°	100°	15°	20°	38°	50°	60°	100°
True White	CRI 70	1150 lm	1450 lm			-	-			-													
	CRI 80	-	-			950 lm	1200 lm			750 lm													
Natural White	CRI 80	950 lm	1200 lm			800 lm	1050 lm			650 lm													
Warm White	CRI 80	800 lm	1050 lm			700 lm	950 lm			560 lm													
Warm White CK: 2200K	CRI 80	650 lm	850 lm			-	-			-													

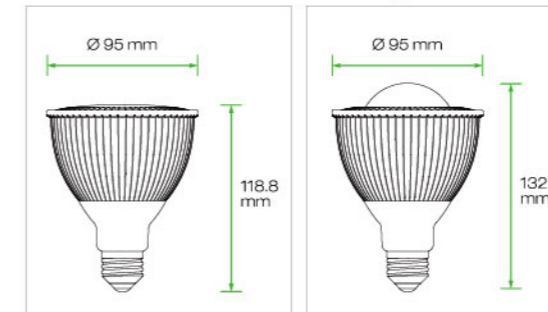
Chipsets	LUXEON Rebel ES					LUXEON Rebel							
	15 Watts		20 Watts			15 Watts							
Beam Angle	*50%	15°	25°	30°	40°	60°	100°	15°	25°	30°	40°	60°	100°
True White	CRI 80	950 lm	1200 lm			750 lm							
	CRI 80	800 lm	1050 lm			650 lm							
Warm White	CRI 80	700 lm	950 lm			560 lm							
	CRI 90	560 lm	760 lm			450 lm							

Chipsets	EPISTAR			
Power Consumption	15 Watts			
Beam Angle	*50%	45°	60°	100°
True White	CRI 98	560 lm		
Warm White	CRI 98	420 lm		



**E26 / 24 (US)**

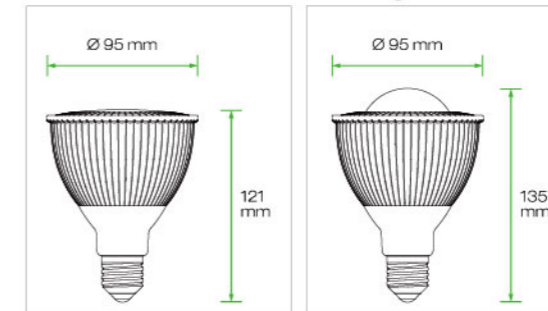
Beam Angle : 15°/20°/25°/30°/38°/40°/45°/50°/100° Beam Angle : 60°



Working Voltage **90 - 277V AC**  
(Power Factor:  $\geq 0.9$ )  
**24V DC**  
(Power Factor: 1)  
Weight **14 oz. ( 400 g )**  
Operating Temp **-65°C to +40°C**  
Lifespan **50,000 hours**  
Warranty **3 Years Limited**

**E26 / 27 (EURO)**

Beam Angle : 15°/20°/25°/30°/38°/40°/45°/50°/100° Beam Angle : 60°



Working Voltage **90 - 277V AC**  
(Power Factor:  $\geq 0.9$ )  
**24V DC**  
(Power Factor: 1)  
Weight **14 oz. ( 400 g )**  
Operating Temp **-65°C to +40°C**  
Lifespan **50,000 hours**  
Warranty **3 Years Limited**

LAMP LUMINOUS FLUX

All LAMP Luminous Flux Data are indicated in Max Values

Chipsets	CREE LEDs XT-E					CREE LEDs XP-G					CREE LEDs XP-E												
	15 Watts		20 Watts			15 Watts		20 Watts			15 Watts												
Beam Angle	*50%	20°	30°	45°	60°	100°	20°	30°	45°	60°	100°	15°	25°	38°	50°	60°	100°	15°	20°	38°	50°	60°	100°
True White	CRI 70	1150 lm	1450 lm			-	-			-													
	CRI 80	-	-			950 lm	1200 lm			750 lm													
Natural White	CRI 80	950 lm	1200 lm			800 lm	1050 lm			650 lm													
Warm White	CRI 80	800 lm	1050 lm			700 lm	950 lm			560 lm													
Warm White CK: 2200K	CRI 80	650 lm	850 lm			-	-			-													

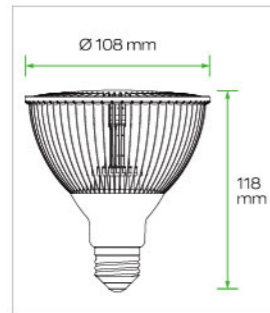
Chipsets	LUXEON Rebel ES					LUXEON Rebel							
	15 Watts		20 Watts			15 Watts							
Beam Angle	*50%	15°	25°	30°	40°	60°	100°	15°	25°	30°	40°	60°	100°
True White	CRI 80	950 lm	1200 lm			750 lm							
	CRI 80	800 lm	1050 lm			650 lm							
Warm White	CRI 80	700 lm	950 lm			560 lm							
	CRI 90	560 lm	760 lm			450 lm							

Chipsets	EPISTAR			
Power Consumption	15 Watts			
Beam Angle	*50%	45°	60°	100°
True White	CRI 98	560 lm		
Warm White	CRI 98	420 lm		



**E26 / 24 (US)**

Beam Angle :  
15°/ 20°/ 25°/ 40°/ 100°



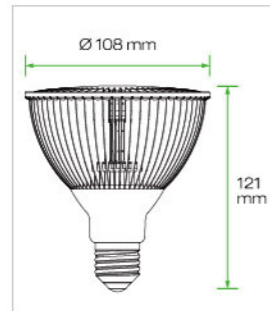
Beam Angle : 60°



Working Voltage **90 - 277V AC**  
(Power Factor :  $\geq 0.9$ )  
**24V DC**  
(Power Factor : 1 )  
Weight **14 oz. ( 400 g )**  
Operating Temp **-65°C to +40°C**  
Lifespan **50,000 hours**  
Warranty **3 Years Limited**

**E26 / 27 (EURO)**

Beam Angle :  
15°/ 20°/ 25°/ 40°/ 100°



Beam Angle : 60°



Working Voltage **90 - 277V AC**  
(Power Factor :  $\geq 0.9$ )  
**24V DC**  
(Power Factor : 1 )  
Weight **14 oz. ( 400 g )**  
Operating Temp **-65°C to +40°C**  
Lifespan **50,000 hours**  
Warranty **3 Years Limited**

LAMP LUMINOUS FLUX

All Lamp Luminous Flux Data are indicated in Max Values

Chipsets	CREE LEDs XT-E				CREE LEDs XP-G				CREE LEDs XB-D				CREE LEDs XP-E								
	15 Watts		20 Watts		15 Watts		20 Watts		15 Watts				15 Watts								
Beam Angle	*50%		25°	40°	60°	100°	60°	100°	25°	60°	100°	60°	100°	20°	25°	40°	60°	100°	15°	60°	100°
True White	CRI 70	1250 lm		1550 lm		-				1150 lm				-							
	CRI 80	-		-		1150 lm				1450 lm				950 lm							
Natural White	CRI 80	1050 lm		1300 lm		950 lm		1200 lm		950 lm				800 lm							
Warm White	CRI 80	900 lm		1125 lm		825 lm		1050 lm		825 lm				700 lm							
Warm White CK: 2200K	CRI 80	800 lm		1000 lm		-				-				-							

Chipsets	LUXEON Rebel ES				LUXEON Rebel		
	15 Watts		20 Watts		15 Watts		
Beam Angle	*50%		60°	100°	60°	100°	
True White	CRI 80	1150 lm		1450 lm		950 lm	
Natural White	CRI 80	950 lm		1200 lm		800 lm	
Warm White	CRI 80	825 lm		1050 lm		700 lm	
	CRI 90	660 lm		840 lm		560 lm	

Chipsets	EPISTAR	
Power Consumption	15 Watts	
Beam Angle	*50%	
True White	CRI 98	620 lm
Warm White	CRI 98	470 lm



**E26 / 24 (US)**

Beam Angle :  
15°/ 20°/ 25°/ 40°/ 100°



Beam Angle : 60°



Working Voltage **90 - 277V AC**  
(Power Factor :  $\geq 0.9$ )  
**24V DC**  
(Power Factor : 1 )  
Weight **14 oz. ( 400 g )**  
Operating Temp **-65°C to +40°C**  
Lifespan **50,000 hours**  
Warranty **3 Years Limited**

**E26 / 27 (EURO)**

Beam Angle :  
15°/ 20°/ 25°/ 40°/ 100°



Beam Angle : 60°



Working Voltage **90 - 277V AC**  
(Power Factor :  $\geq 0.9$ )  
**24V DC**  
(Power Factor : 1 )  
Weight **14 oz. ( 400 g )**  
Operating Temp **-65°C to +40°C**  
Lifespan **50,000 hours**  
Warranty **3 Years Limited**

LAMP LUMINOUS FLUX

All Lamp Luminous Flux Data are indicated in Max Values

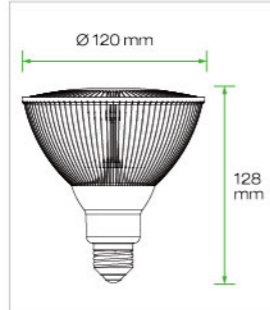
Chipsets	CREE LEDs XT-E				CREE LEDs XP-G				CREE LEDs XB-D				CREE LEDs XP-E								
	15 Watts		20 Watts		15 Watts		20 Watts		15 Watts				15 Watts								
Beam Angle	*50%		25°	40°	60°	100°	60°	100°	25°	60°	100°	60°	100°	20°	25°	40°	60°	100°	15°	60°	100°
True White	CRI 70	1250 lm		1550 lm		-				1150 lm				-							
	CRI 80	-		-		1150 lm				1450 lm				950 lm							
Natural White	CRI 80	1050 lm		1300 lm		950 lm		1200 lm		950 lm				800 lm							
Warm White	CRI 80	900 lm		1125 lm		825 lm		1050 lm		825 lm				700 lm							
Warm White CK: 2200K	CRI 80	800 lm		1000 lm		-				-				-							

Chipsets	LUXEON Rebel ES				LUXEON Rebel		
	15 Watts		20 Watts		15 Watts		
Beam Angle	*50%		60°	100°	60°	100°	
True White	CRI 80	1150 lm		1450 lm		950 lm	
Natural White	CRI 80	950 lm		1200 lm		800 lm	
Warm White	CRI 80	825 lm		1050 lm		700 lm	
	CRI 90	660 lm		840 lm		560 lm	

Chipsets	EPISTAR	
Power Consumption	15 Watts	
Beam Angle	*50%	
True White	CRI 98	620 lm
Warm White	CRI 98	470 lm

**E26 / 24 (US)**

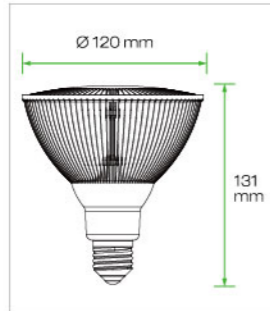
Beam Angle :  
20°/38°/50°/100°



Working Voltage **90 - 277V AC**  
(Power Factor :  $\geq 0.9$ )  
**24V DC**  
(Power Factor : 1)  
Weight **17.6 oz. ( 500 g )**  
Operating Temp **-65°C to +40°C**  
Lifespan **50,000 hours**  
Warranty **3 Years Limited**

**E26 / 27 (EURO)**

Beam Angle :  
20°/38°/50°/100°



Working Voltage **90 - 277V AC**  
(Power Factor :  $\geq 0.9$ )  
**24V DC**  
(Power Factor : 1)  
Weight **17.6 oz. ( 500 g )**  
Operating Temp **-65°C to +40°C**  
Lifespan **50,000 hours**  
Warranty **3 Years Limited**

LAMP LUMINOUS FLUX

All Lamp Luminous Flux Data are indicated in max values

Chipsets	<b>CREE</b> LEDs XT-E		
Power Consumption	30 Watts		
Beam Angle *50%	60°	100°	
True White	CRI 70	2550 lm	
Natural White	CRI 80	2250 lm	
Warm White	CRI 80	1680 lm	
Warm White CK: 2200K	CRI 80	1450 lm	

Chipsets	<b>CREE</b> LEDs XM-L			
Power Consumption	30 Watts			
Beam Angle *50%	20°	38°	60°	100°
True White	CRI 65	2550 lm		
Natural White	CRI 75	2250 lm		
Warm White	CRI 80	1680 lm		

Chipsets	<b>BRIDGELUX</b>		
Power Consumption	30 Watts		
Beam Angle *50%	50°	100°	
True White	CRI 65	1950 lm	
Natural White	CRI 80	1800 lm	
Warm White	CRI 82	1250 lm	

**E26 / 24 (US)**

Beam Angle :  
50°/100°



Working Voltage **90 - 277V AC**  
(Power Factor :  $\geq 0.9$ )  
**24V DC**  
(Power Factor : 1)  
Weight **17.6 oz. ( 500 g )**  
Operating Temp **-65°C to +40°C**  
Lifespan **50,000 hours**  
Warranty **3 Years Limited**

**E26 / 27 (EURO)**

Beam Angle :  
50°/100°



Working Voltage **90 - 277V AC**  
(Power Factor :  $\geq 0.9$ )  
**24V DC**  
(Power Factor : 1)  
Weight **17.6 oz. ( 500 g )**  
Operating Temp **-65°C to +40°C**  
Lifespan **50,000 hours**  
Warranty **3 Years Limited**

LAMP LUMINOUS FLUX

All Lamp Luminous Flux Data are indicated in max values

Chipsets	<b>CREE</b> LEDs XT-E		
Power Consumption	30 Watts		
Beam Angle *50%	60°	100°	
True White	CRI 70	2750 lm	
Natural White	CRI 80	2480 lm	
Warm White	CRI 80	1880 lm	
Warm White CK: 2200K	CRI 80	1700 lm	

Chipsets	<b>CREE</b> LEDs XM-L		
Power Consumption	30 Watts		
Beam Angle *50%	60°	100°	
True White	CRI 65	2750 lm	
Natural White	CRI 75	2480 lm	
Warm White	CRI 80	1880 lm	

Chipsets	<b>BRIDGELUX</b>		
Power Consumption	30 Watts		
Beam Angle *50%	50°	60°	100°
True White	CRI 65	2100 lm	
Natural White	CRI 80	2000 lm	
Warm White	CRI 82	1370 lm	