

4" Downlight



ALTLED® Downlight Series

Specification Sheet

Product Introduction

ALT's 4inch Downlight can be presented as a strong, smart and efficient light. ALT's 4inch Downlight series guarantees the outstanding efficiency and quality of High Power Products. All these make our 4inch Downlight products ideal for general business and decorative lighting purpose, including shop Lighting, Hotel lighting, and Commercial Applications. You can simply install it within the showcase of the boutique, and add up bonus for the display. Also, Asteria MR16 series can easily and smartly help you lessen energy consumption up to 90%, it will enhance your business profitability and help the environment to flourish. 4inch Downlight series certainly be the product to create a more beautiful and efficient world.

Features

- ✓ Elegant, rich and long-lasting lighting output ideal for Interior design.
- ✓ High density aluminum increase heat dissipation.
- ✓ Up to 90% energy saving compared to standard halogen lamp.

Application

- ✓ Shop Lighting
- ✓ Commercial Lighting
- ✓ Boutique Lighting
- ✓ Illumination Lighting
- ✓ Hotel Lighting



Specifications

Item	Specification	Details
Output	Beam Angle	20°, 30°, 45°, 100°
	Colour Range	TW / NW / WW
	Lumen Maintenance	50,000 hours
Electrical	Input Voltage	17V DC
	Input Current	1A
	Power Consumption	20 Watts
	Weight	14.10 oz. (400 g)
	Lens	Optics PMMA
	Operating Temperature	-40° F to 104° F (-40°C to 40°C)
	Humidity	0 – 95%, non-condensing
Certification and Safety	Environment	Suitable for damp location
	Warranty	3 years
Two Million Worldwide Product Liability Insurance.		

Lamp Luminous Flux

Chipsets	CREE XT-E	
Power Consumption	20W	
Beam Angle	50%	20°, 30°, 45°, 100°
True White	CRI 70	1550 lm
Natural White	CRI 80	1300 lm
Warm White	CRI 80	1125 lm
		1000 lm (2200K)

Chipsets	CREE XB-D	
Power Consumption	20W	
Beam Angle	50%	20°, 30°, 45°, 100°
True White	CRI 70	1450 lm
Natural White	CRI 80	1200 lm
Warm White	CRI 80	1050 lm

※All Chipset Luminous Flux Data are indicated in max values

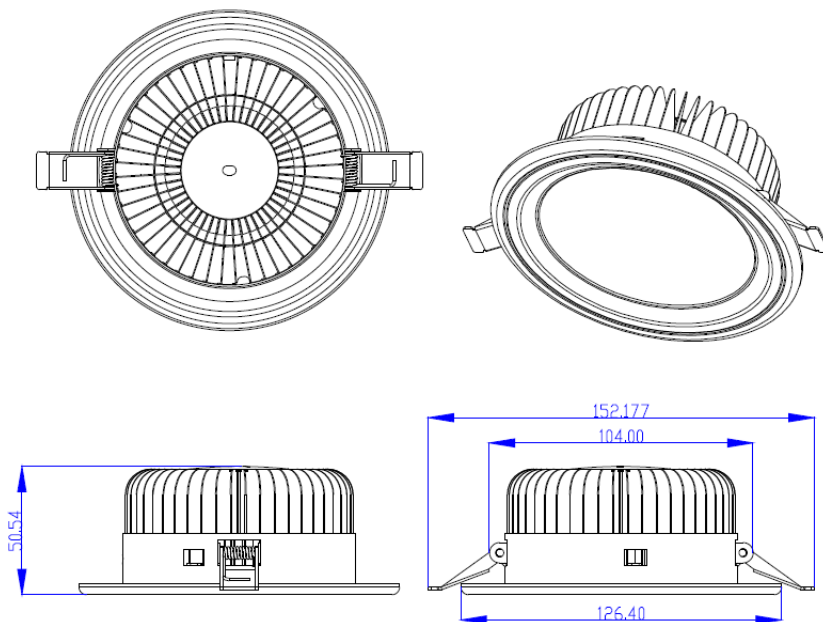
Optical Characteristics

Dominant Wavelength (nm) or Colour Temperature (K)

CREE LED chips

Correlated Colour Temperature	Min.	Typ.	Max.
True White	4550K	6000K	10000K
Natural White	3250K	4000K	4750K
Warm White	2100K	3000K	3500K

Mechanical Dimensions



Aeon Lighting Technology Inc.
 16F-8., No.2, Jian 8th Rd., Zhonghe Dist.,
 New Taipei City 235, Taiwan (R.O.C.)
 Tel +886-2-8226-1289
 Fax +886-2-8226-9066
 www.aeonlighting.com

