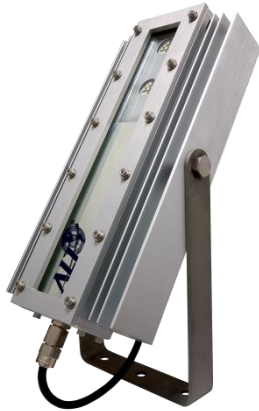


Anti-Explosive Lamp



ALTLED®

Theseus Series

Specification Sheet

Product Introduction

ALT's anti-explosive lamp can be safely used in hazardous locations such as power plants, oil and natural gas drilling stations and refineries, mining facilities, etc. Integrated with CREE XML chipset, the anti-explosive E01 series can provide an estimated 75% energy saving while maintaining the same level of brightness as your standard HID and MH lights.

Being flameproof, explosion proof, corrosion resistant, and IP68 compliant, the E01 anti-explosive lamp is highly sustainable in environments that require the highest safety standards. Thanks to superb heat dissipation, thermal conductivity designs, and high-strength aluminum extrusion, ALT's E01 anti-explosive lamp is an ideal solution for hazardous locations.

Certificates



Features

- ✓ Anti-explosive lights have been designed to be used in the heavy duty mining industry and will produce maximum light output with minimum current draw.
- ✓ Strong resistance to corrosion, water and dust; applicable to various harsh environments.
- ✓ Anti-explosive lights are vastly more efficient at 75% electrical energy converted to light while incandescent loses 75% electrical energy in the form of heat.
- ✓ Anti-explosive lights have an environmentally friendly design because they require no filaments or toxic/combustible gases to produce light.

Application

- ✓ Mining
- ✓ Power Plants
- ✓ Chemical Plants
- ✓ Refineries
- ✓ Aviation / aerospace
- ✓ Offshore drilling platforms
- ✓ Paint coating work stations
- ✓ Petroleum & Gas stations
- ✓ Marine / Ship yards



Specifications

Item	Specification	Details
Output	Beam Angle	20°, 38°, 60°, 90°, 130°
	Colour Range	TW / NW / WW
	Lumen Maintenance	50,000 hours
Electrical	Input Voltage	100 ~ 240V AC
	Power Consumption	46, 72, 92 Watts
	Weight	7.2 kg
Physical	Lens	Optics Hardness Glass
	Operating Temperature	-40° F to 122° F (-40°C to 50°C)
	Humidity	0 – 95%, non-condensing
	Anti-Explosive Cable Gland	Type A (P.4): Standard Anti-Explosive Cable Gland Type B (P.5): Capable of mounting anti-explosive cable glands (M16)
	Certifications	CNS 3376 – EX d IIB T5 (※CNS only CREE XML 92W TW 20° / 130°) ATEX Marking – EX d IIC T5...T3 Gb ATEX No. – TÜV 14 ATEX 7519 X IEC/IECEX No. – IECEx TUR 15.0023X (※ATEX & IECEx only 72W & 92W) RoHS. Laser. CE. IP68
	Environment	Suitable for damp location
	Warranty	3 years
Two Million Worldwide Product Liability Insurance.		

Chipset Luminous Flux

Standard		CREE XML2		
Type		E01 T100		
Power Consumption		46W	72 W	92 W
Beam Angle		20° / 38° / 60° / 90° / 130°		
True White	CRI 65	5100 lm	7650 lm	10200 lm
Natural White	CRI 75	4400 lm	6600 lm	8800 lm
Warm White	CRI 80	3700 lm	5550 lm	7400 lm

CNS		CREE XML2		
Type		E01 T100		
Power Consumption		92 W		
Beam Angle		20° / 130°		
True White	CRI 65	10200 lm		

Standard		CREE XPL		
Type		E01 T100		
Power Consumption		46W	72W	92W
Beam Angle		20° / 38° / 60° / 90° / 130°		
True White	CRI 70	6000 lm	9250 lm	11800 lm
Natural White	CRI 80	5200 lm	8000 lm	10200 lm
Warm White	CRI 80	4300 lm	6700 lm	8500 lm

※All Chipset Luminous Flux Data are indicated in max values.

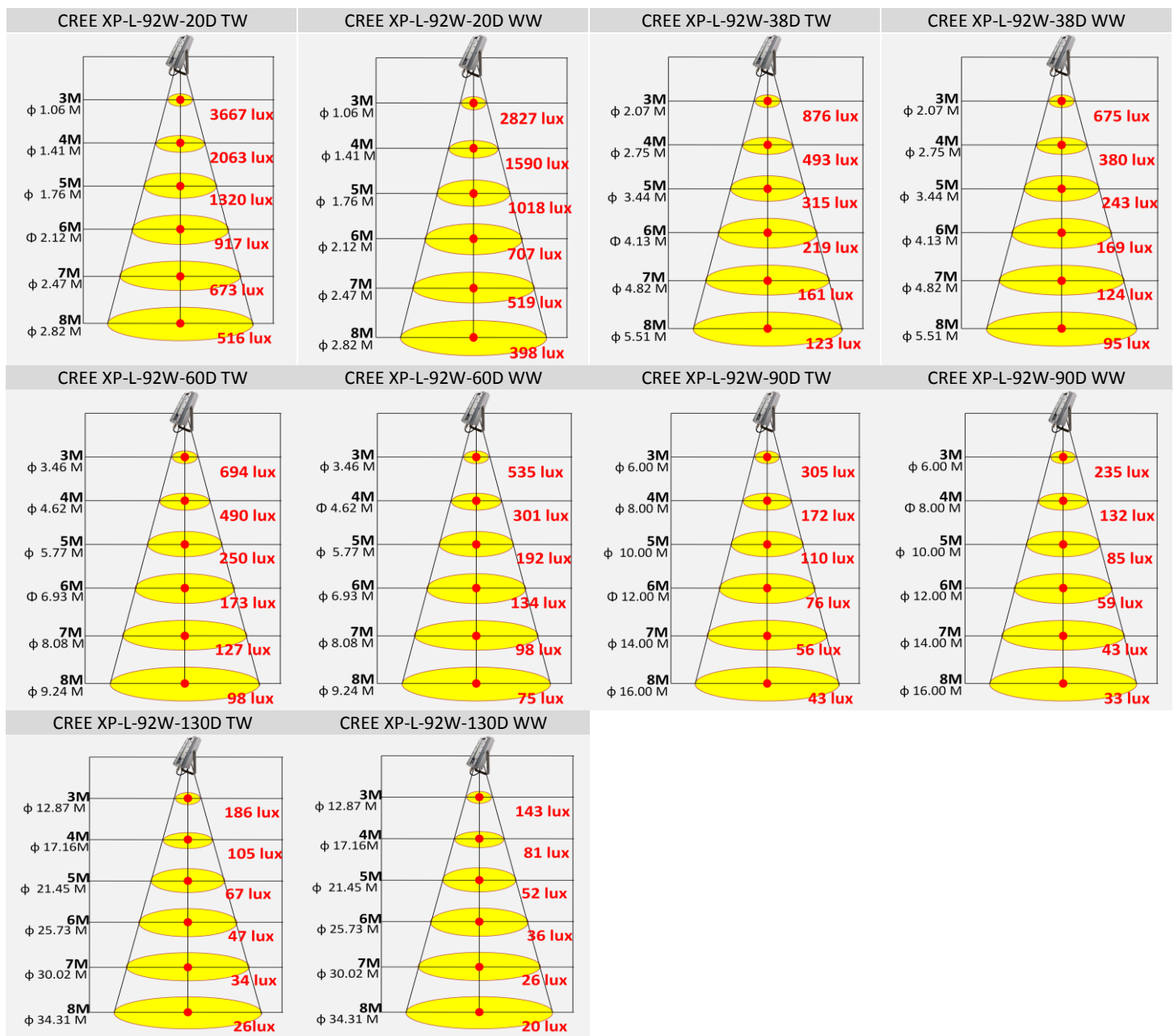
Optical Characteristics

Dominant Wavelength (nm) or Colour Temperature (K)

CREE LED chips

Correlated Colour Temperature	Min.	Typ.	Max.
True White	4500K	6500K	8300K
Natural White	3500K	4100K	4500K
Warm White	2600K	3100K	3500K

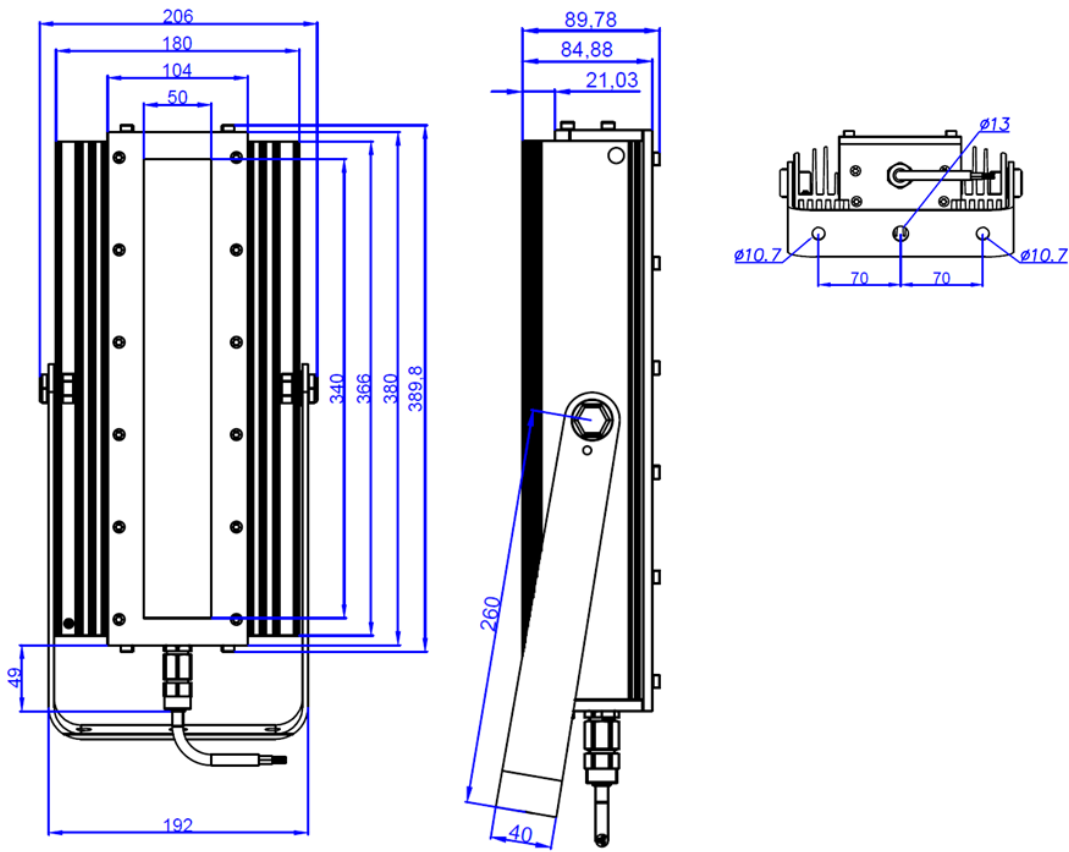
Illuminance at Distance



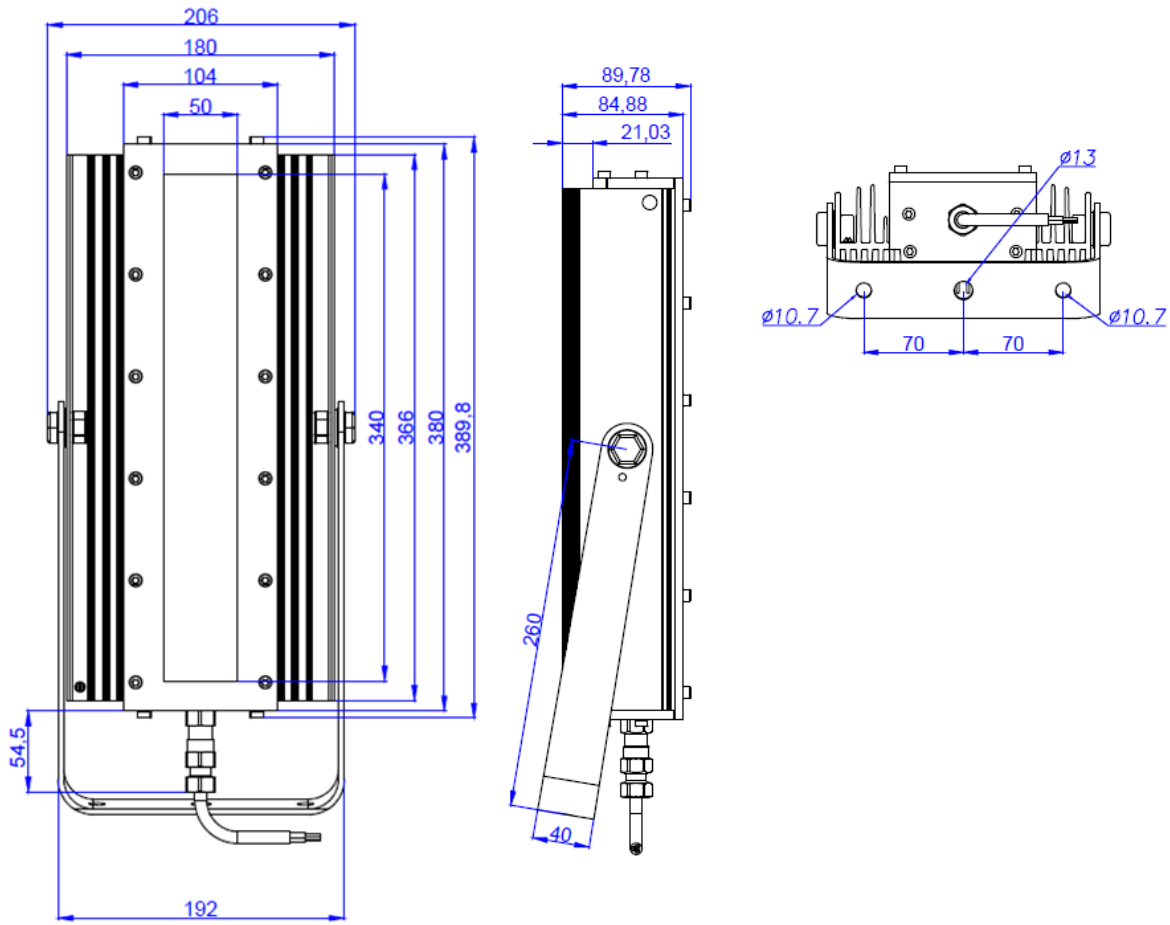
Mechanical Dimensions

E01t100

Type A



Type B



Copyright © Aeon Lighting Technology Inc. All rights reserved.

ALT and ALTLED are either registered trademarks of Aeon Lighting Technology Inc. in Taiwan and/or other countries. All other brand or products names are trademarks or registered trademarks of their respective owners. Due to continuous improvement and innovations, specifications may change without notice.

Aeon Lighting Technology Inc.
16F-8., No.2, Jian 8th Rd., Zhonghe Dist.,
New Taipei City 235, Taiwan (R.O.C.)
Tel +886-2-8226-1289
Fax +886-2-8226-9066
www.aeonlighting.com

